

SPECIFICATIONS

GENERAL

Aluminum framing shall be Marlin System 50 as manufactured by Marlin windows.

MATERIALS

All framing shall be aluminum extrusions of 6063-T5 alloy & temper with a minimum wall thickness of .094". All members shall have a rigid polyurethane "thermal-barrier" as an integral part of the extrusion which eliminates all direct contact between the interior and exterior aluminum sections (specify). Top extruded dress cap and other formed trim sections shall have a minimum wall thickness of .050".

FINISH

Standard architectural Class II anodic color conforming to Aluminum Association AA-M12-C22-A34 for dark bronze or AA-M12-C22-A31 for clear anodize. (Architectural Class I and organic coatings available - specify).

CONSTRUCTION

Aluminum framing shall have a 2" face width and a depth of 5". The rafter, purlin and ridge assembly shall have condensation gutters to drain moisture to the exterior. Sill member shall have weep holes at each rafter and run continuous. Purlin joint to rafter shall be slid in and run continuous without the use of clips or notching to form a tight leak proof joint. All fasteners for rafter to ridge and base assembly shall be concealed to form tight clean joints. No exposed screws, bolts or clips shall be allowed.

PERFORMANCE

System shall be tested in accordance with AAMA 501 and meet the requirements of ASTM E 283 for air infiltration, and ASTM E 331 for water penetration, and ASTM E 330 for structural performance. Deflection of mullions shall be limited to L/175 when subjected to the project design pressure of _____P.S.F. (Architect to specify).

GLAZING

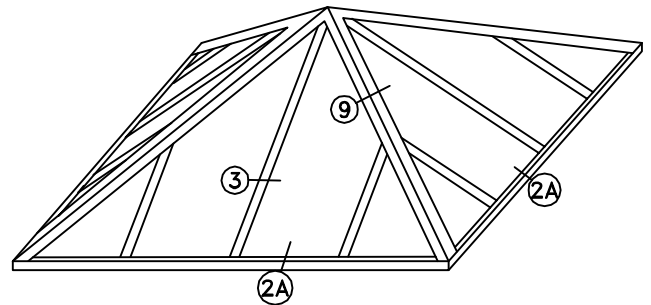
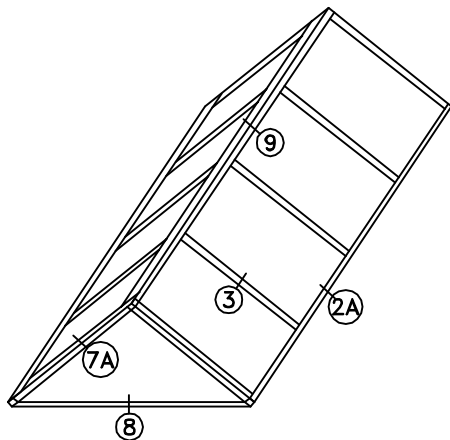
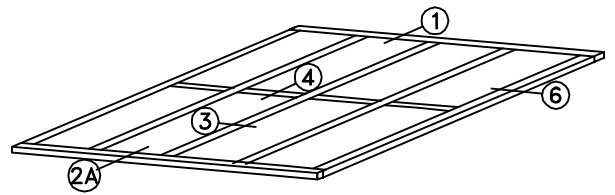
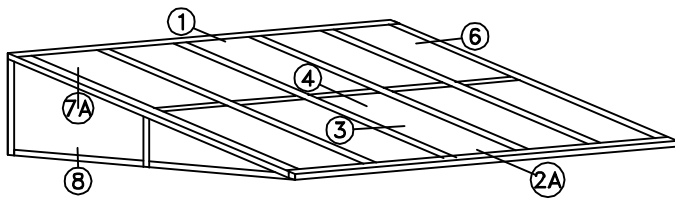
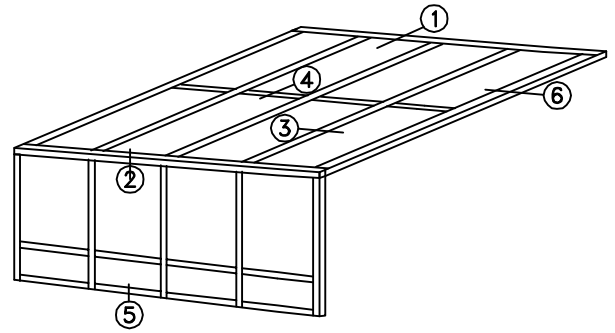
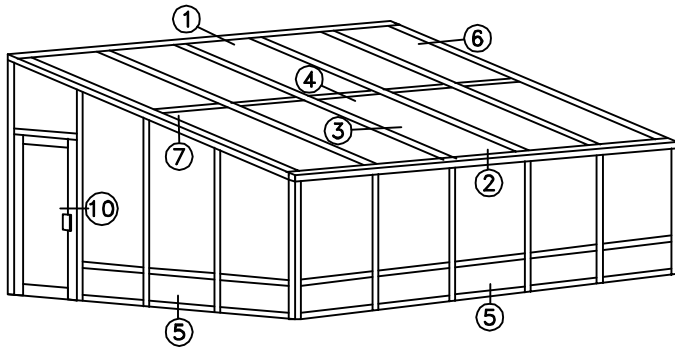
Marlin system 50 shall accommodate 1" glazing as required. Provisions for 1/4" glazing shall be accommodated by use of an adapter. Exterior glazing seal shall be accomplished with a pre-shim polymer tape and secondary silicone wet pressure plate fastened to main members. Interior glazing seal shall be neoprene sponge installed in main members.

INSTALLATION

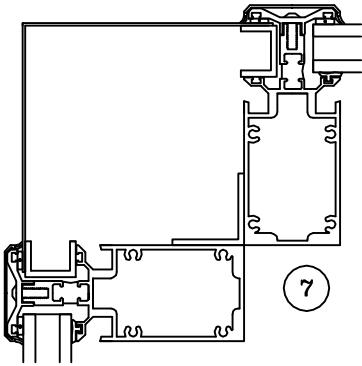
Glass and framing shall be installed straight, plumb, and level without twisting and securely anchored in place. All joints between framing and the building exterior shall be sealed to provide a watertight installation.

PROTECTION AND CLEANING

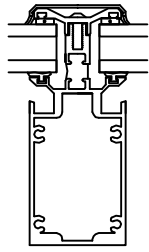
The General Contractor shall provide adequate protection of the aluminum and glass surfaces from damage by grinding compound, lime, acids, cement or other contaminants. The General Contractor shall be responsible for final cleaning.



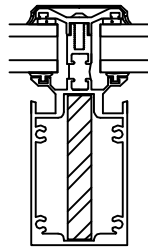
1/4 SCALE



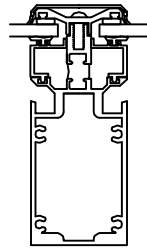
7



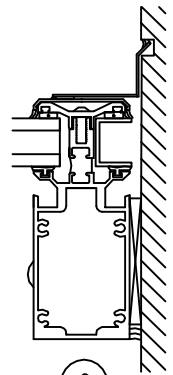
3



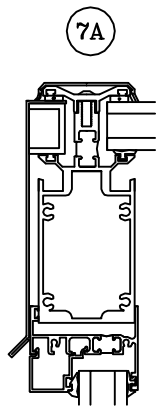
3A



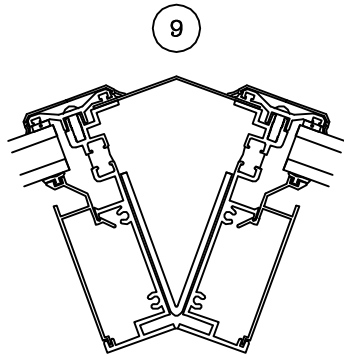
3B



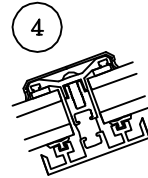
6



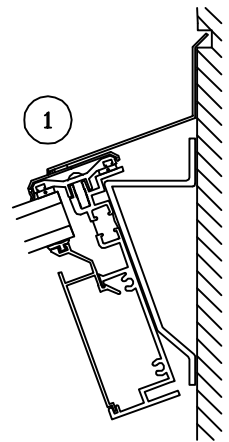
7A



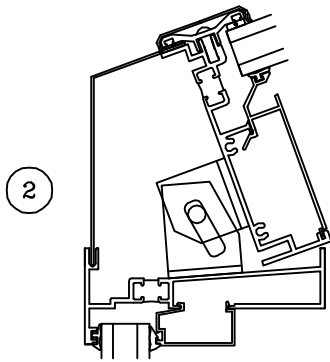
9



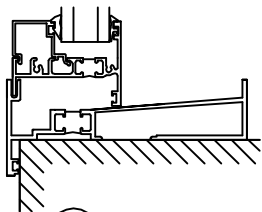
4



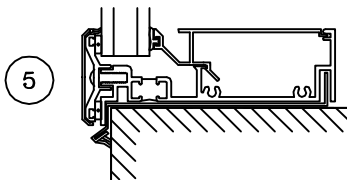
1



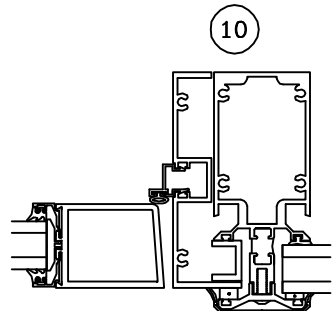
2



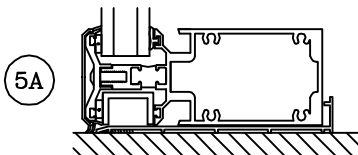
8



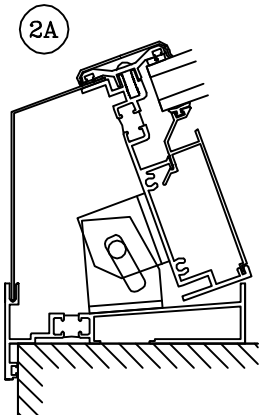
5



10



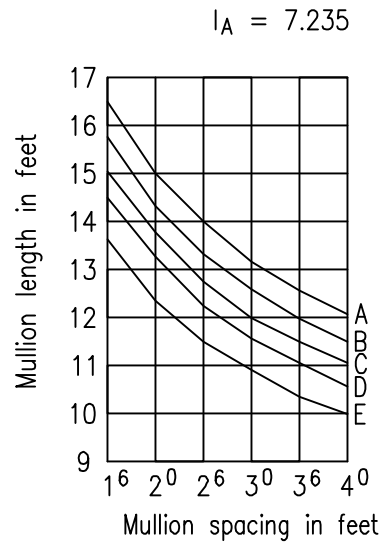
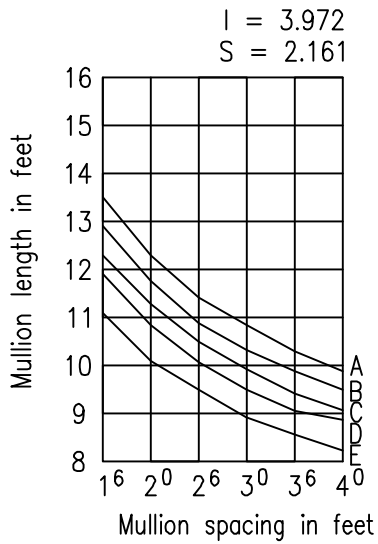
5A



2A

SNOW LOAD CHARTS

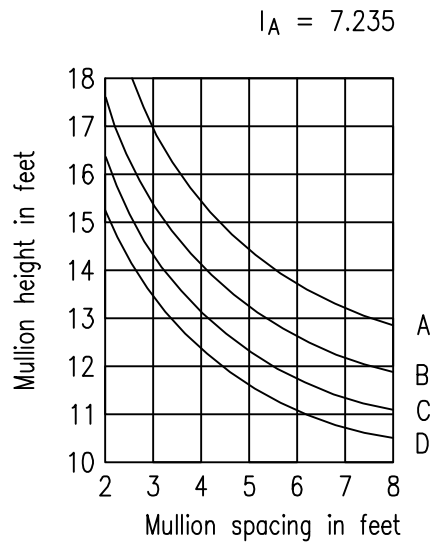
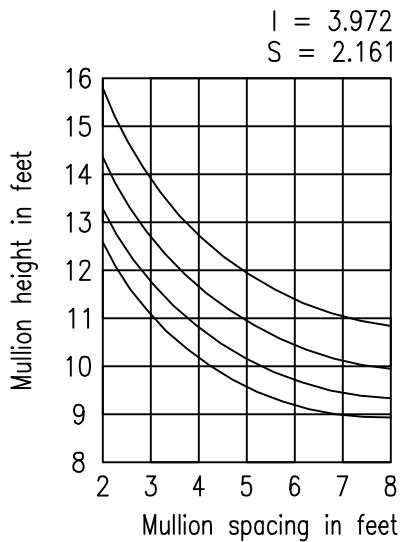
- A = 25 lbs
- B = 30 lbs
- C = 35 lbs
- D = 40 lbs
- E = 50 lbs

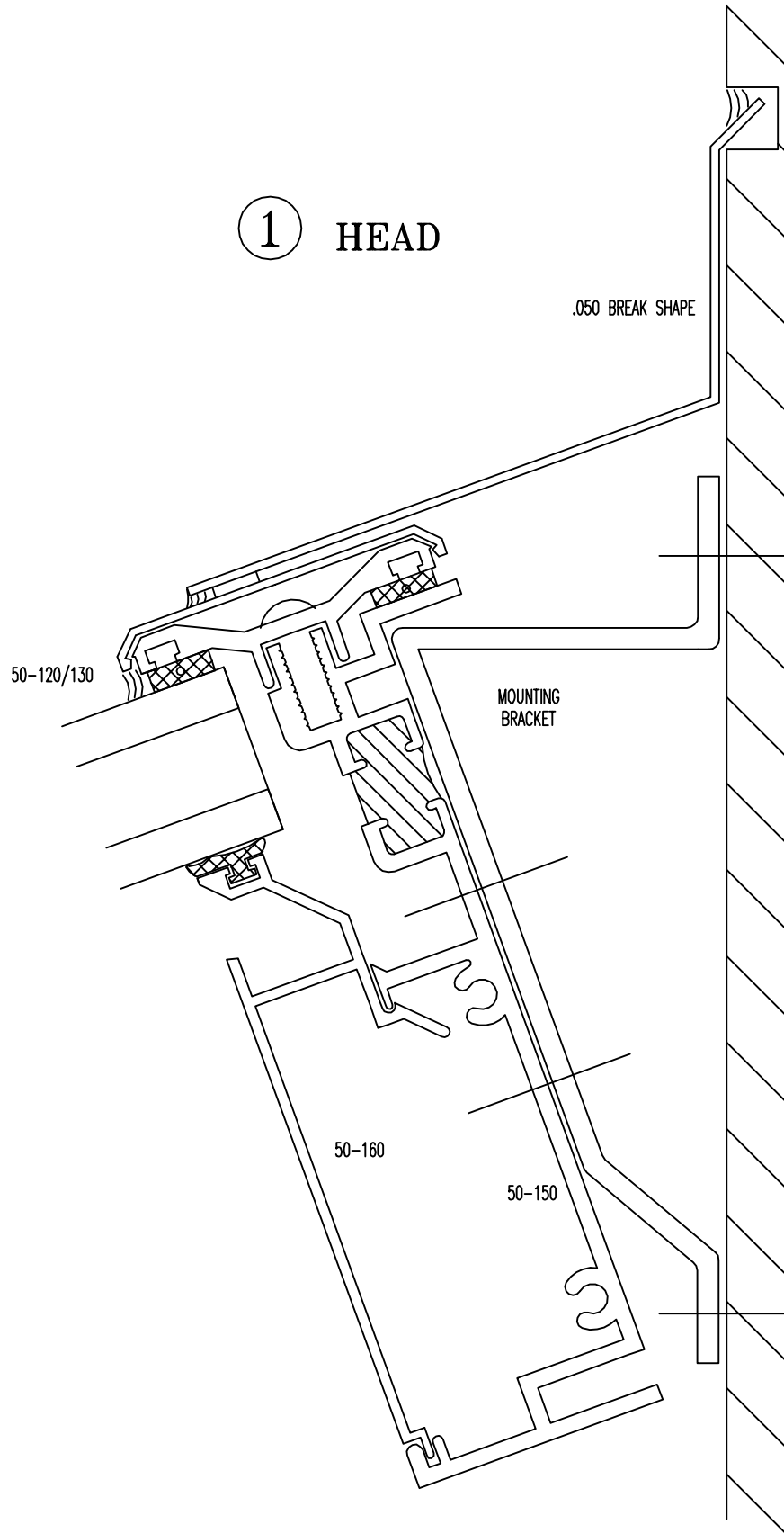


WIND LOAD CHARTS

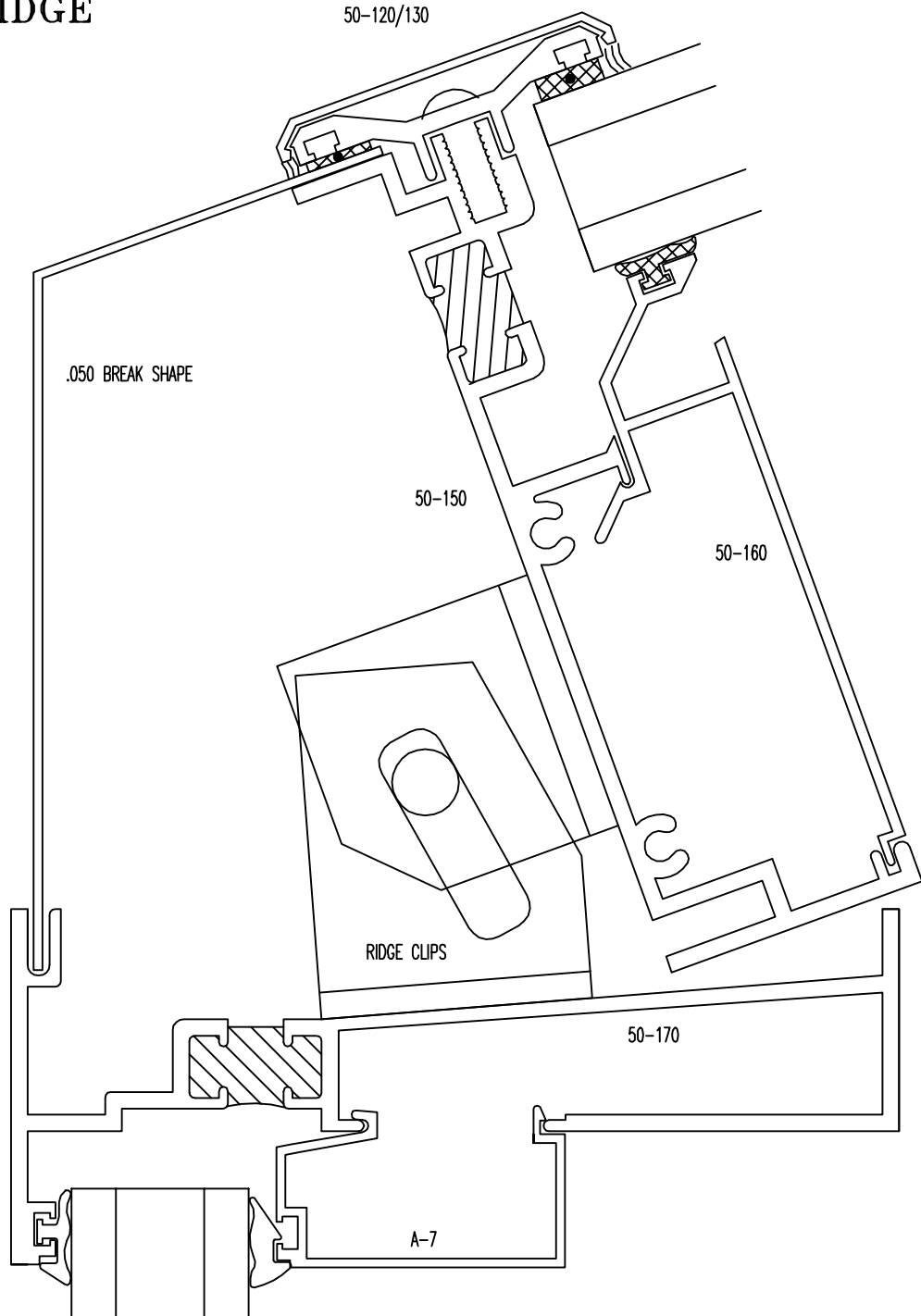
DEFLECTION LIMITED TO $L/175$

- A = 15 PSF
- B = 20 PSF
- C = 25 PSF
- D = 30 PSF

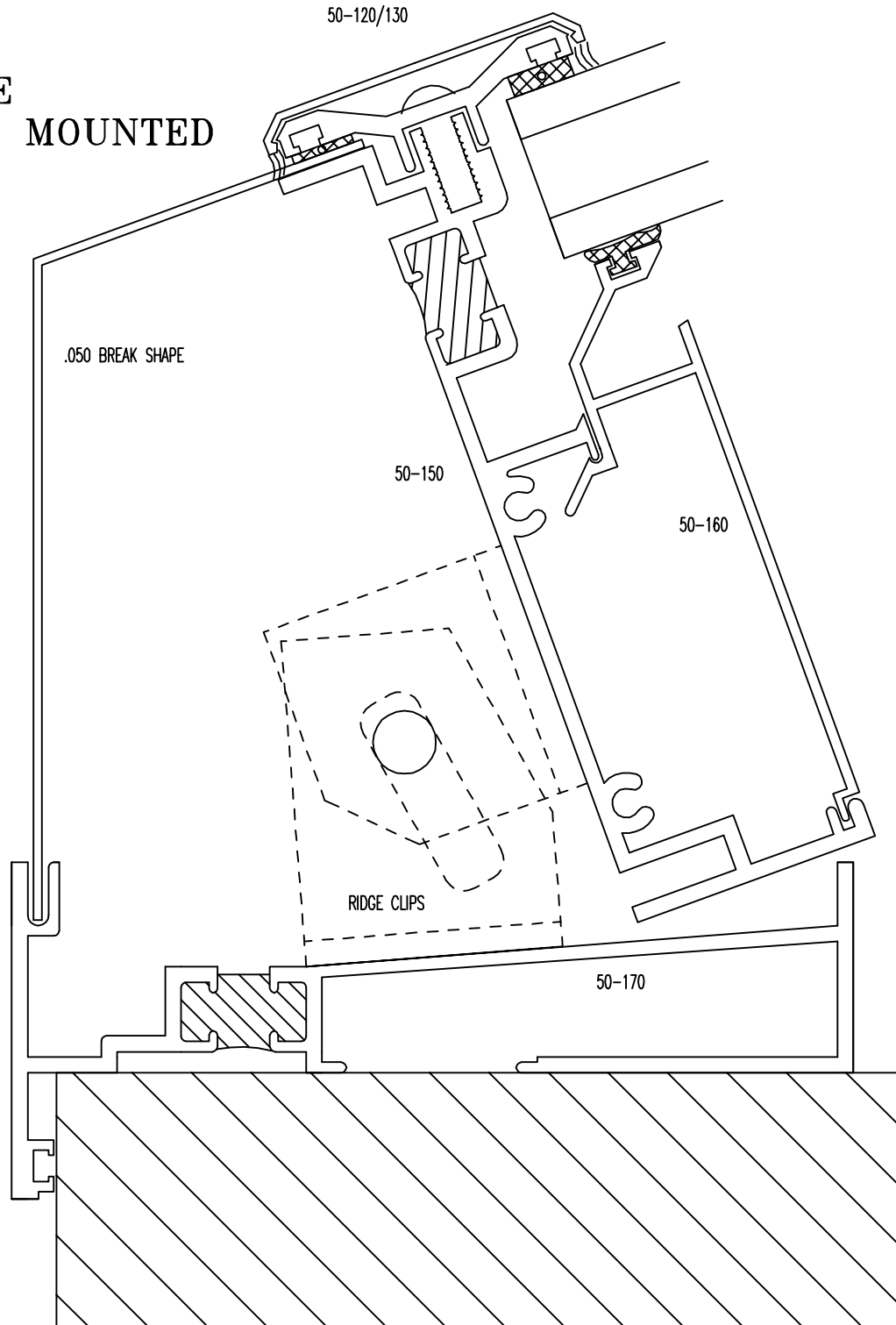




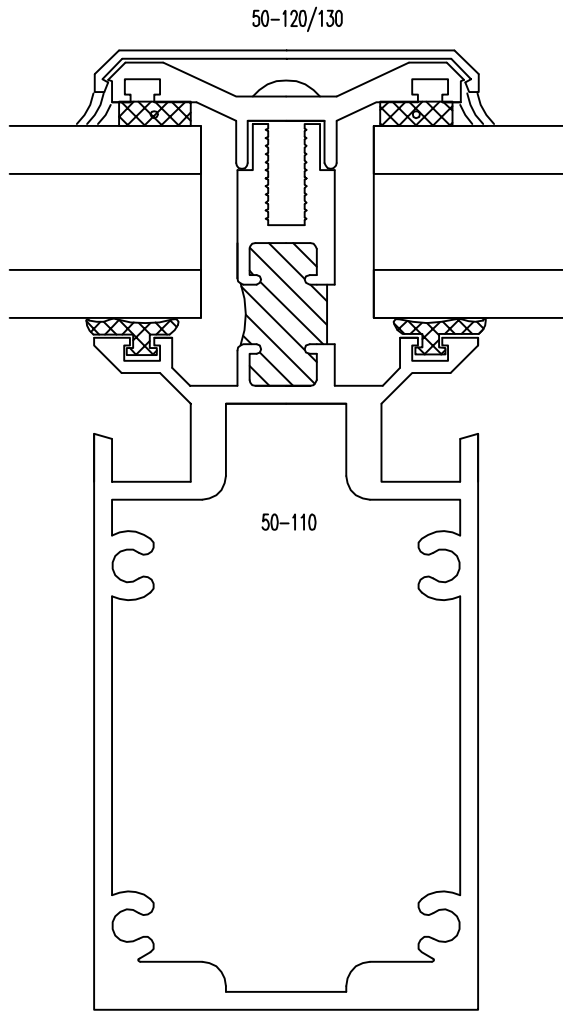
② RIDGE



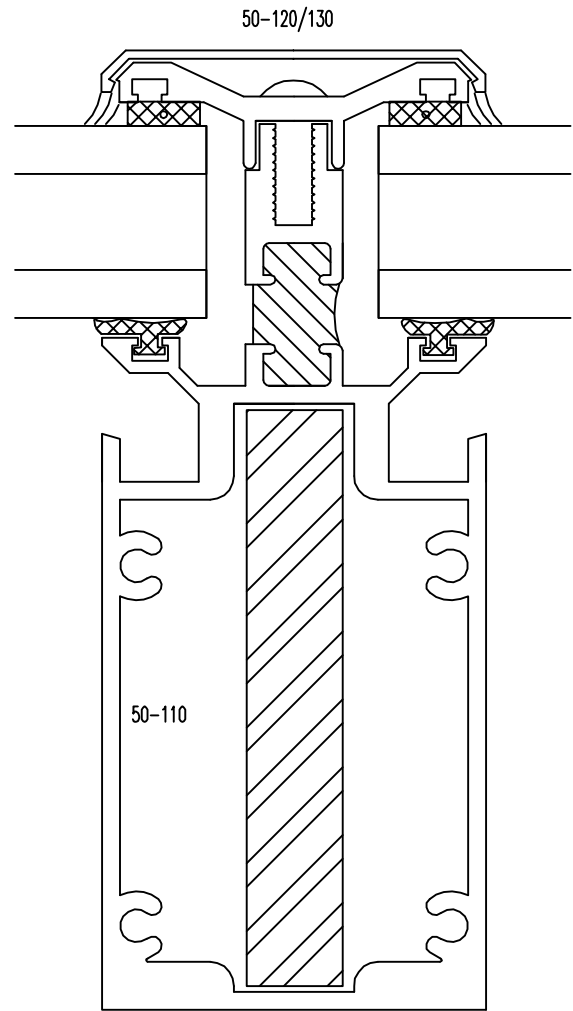
2A RIDGE
CURB MOUNTED

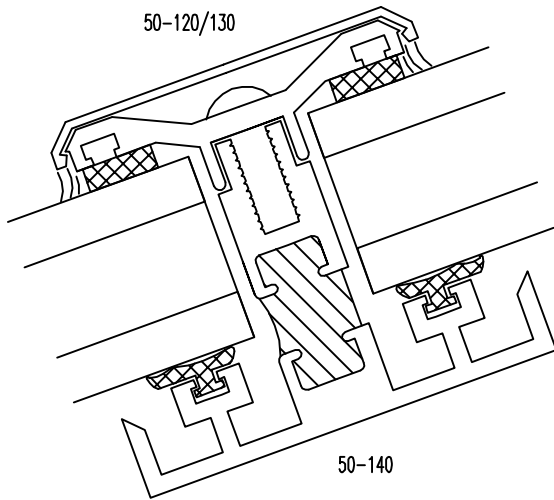


3 RAFTER

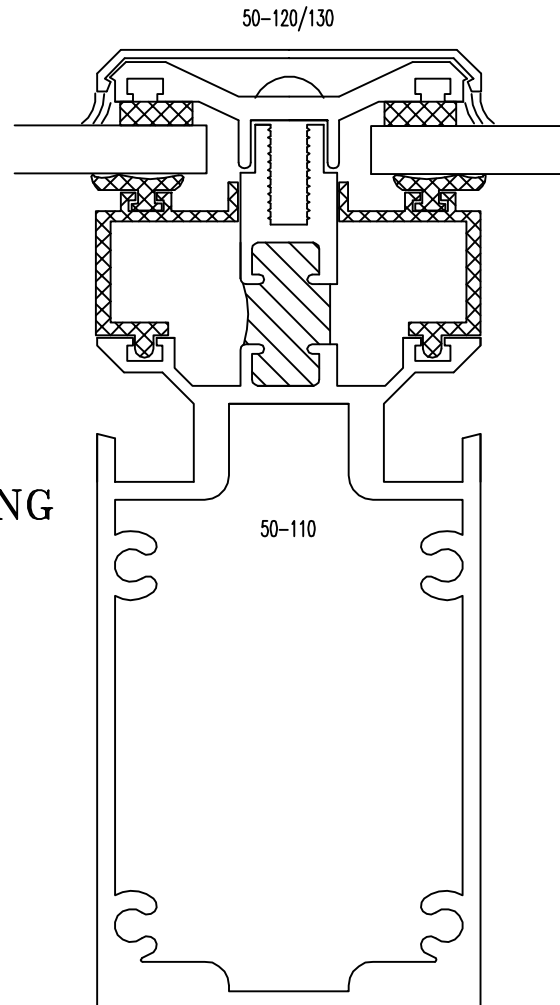


3A RAFTER
W/STEEL INSERT



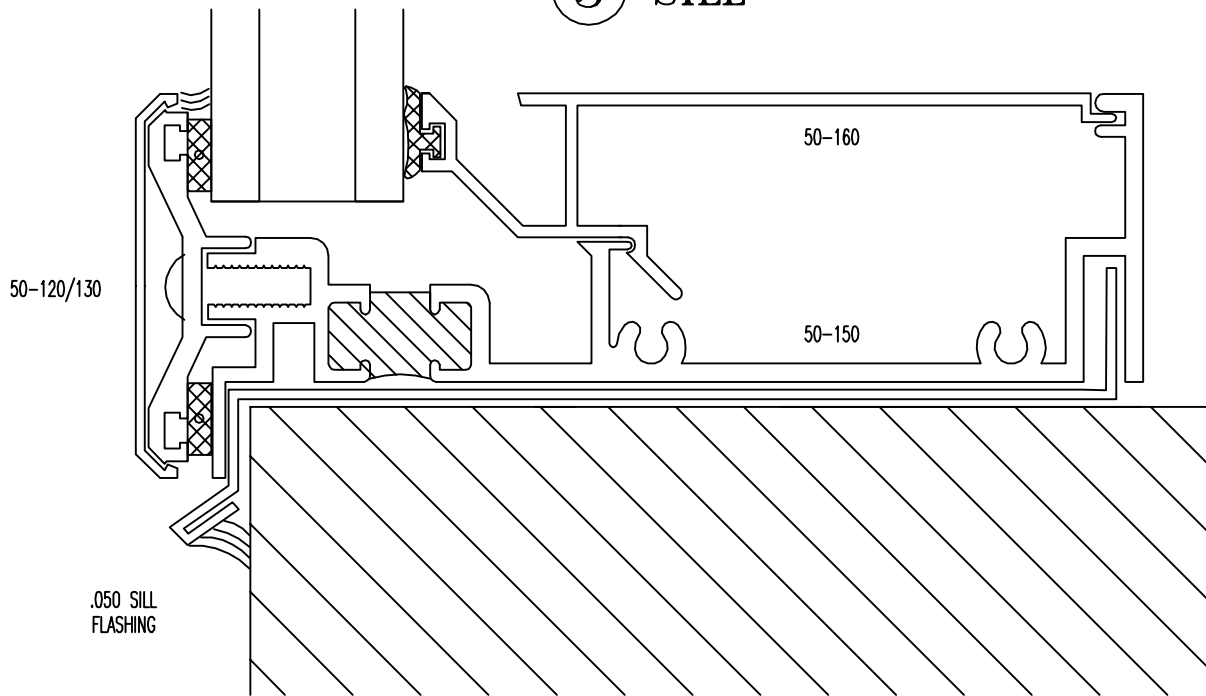


4 PURLIN

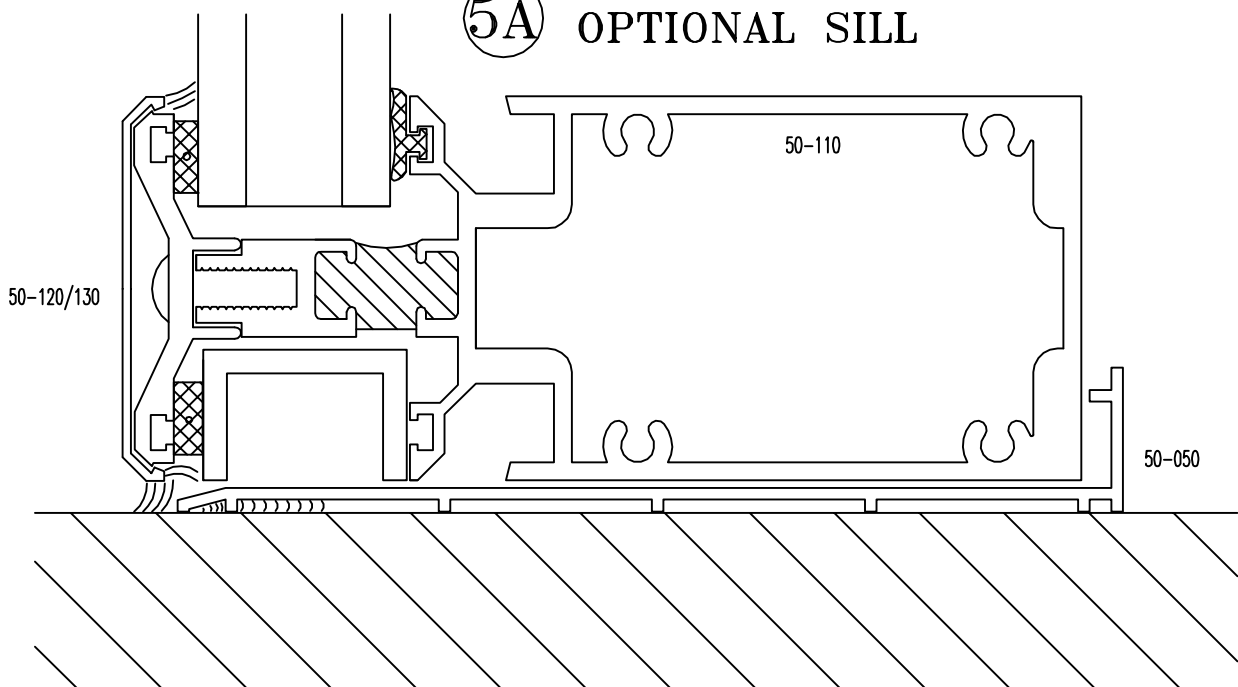


3B 1/4" GLAZING
ADAPTOR

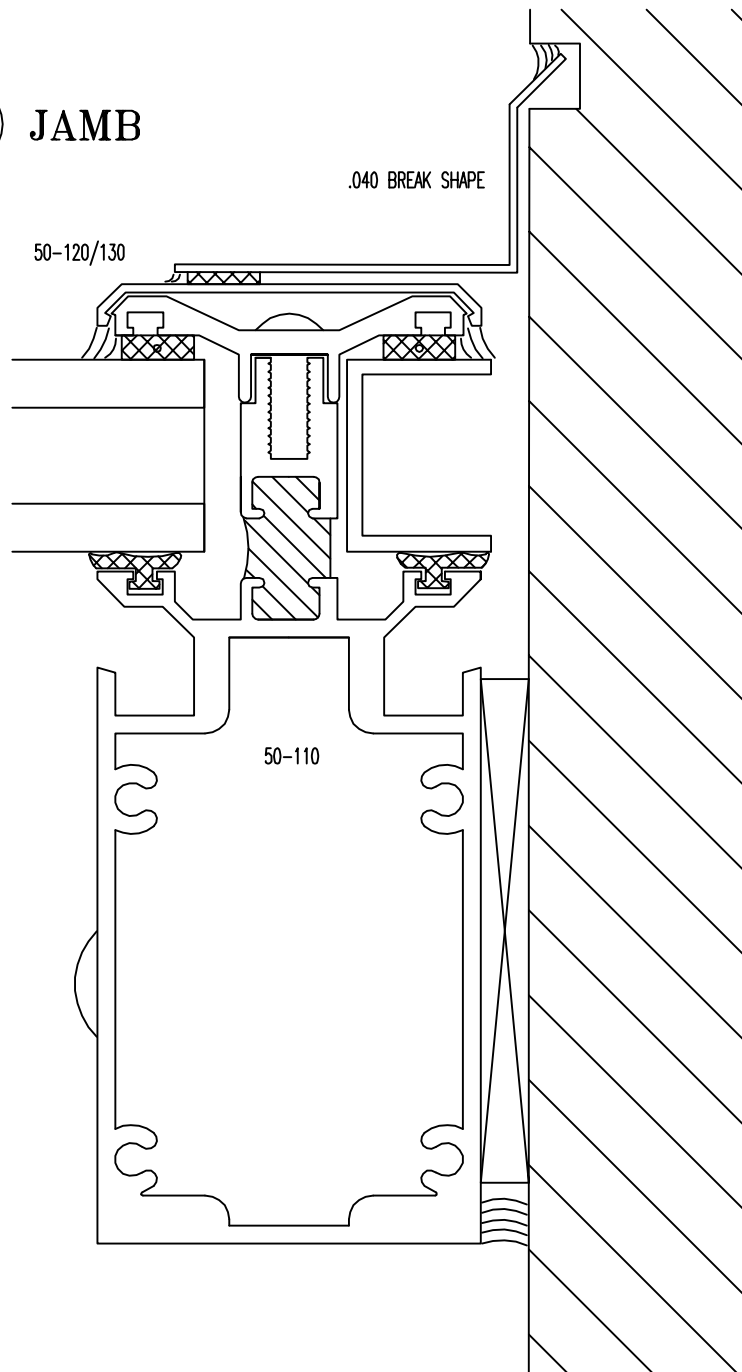
5 SILL



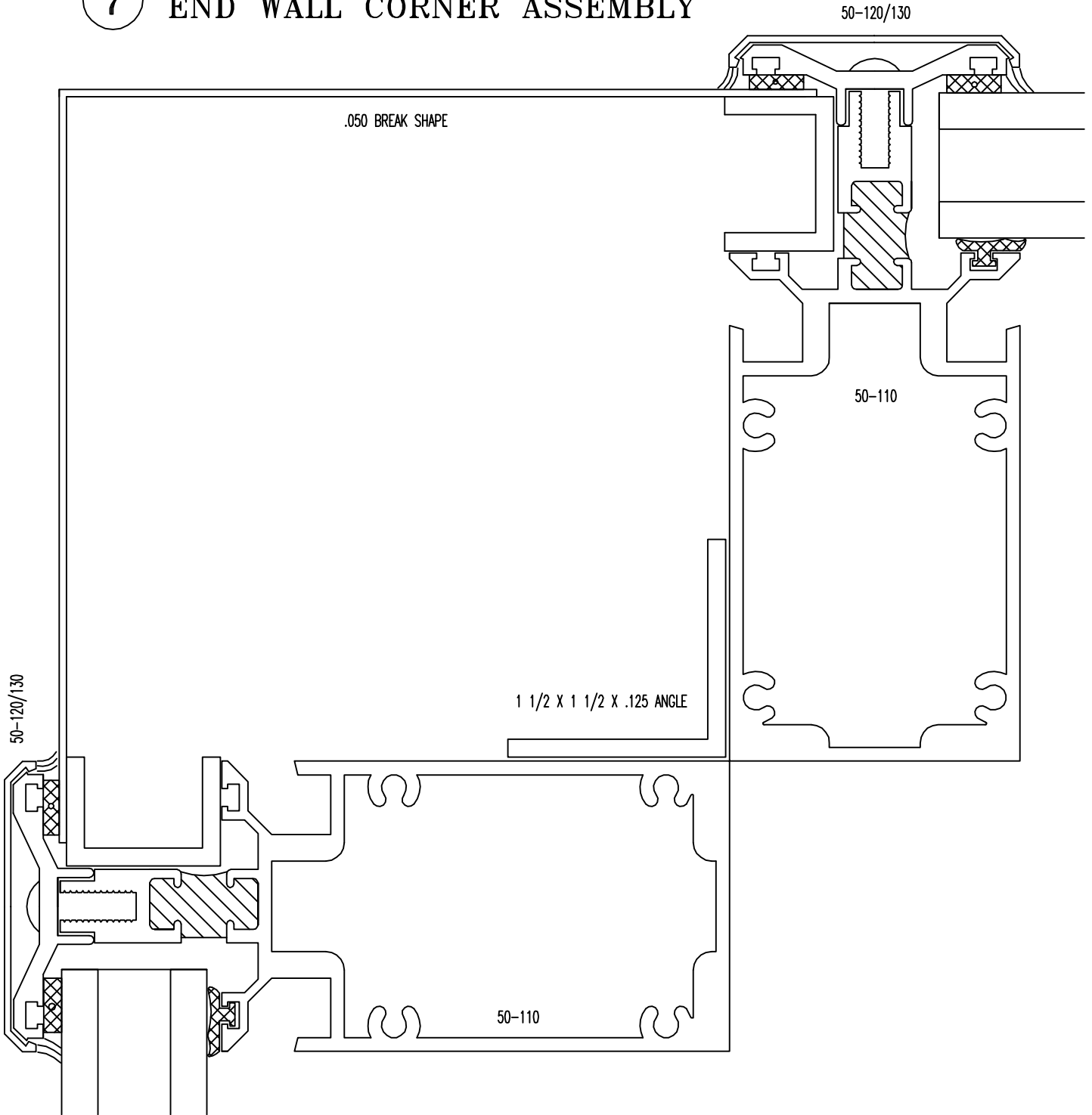
5A OPTIONAL SILL



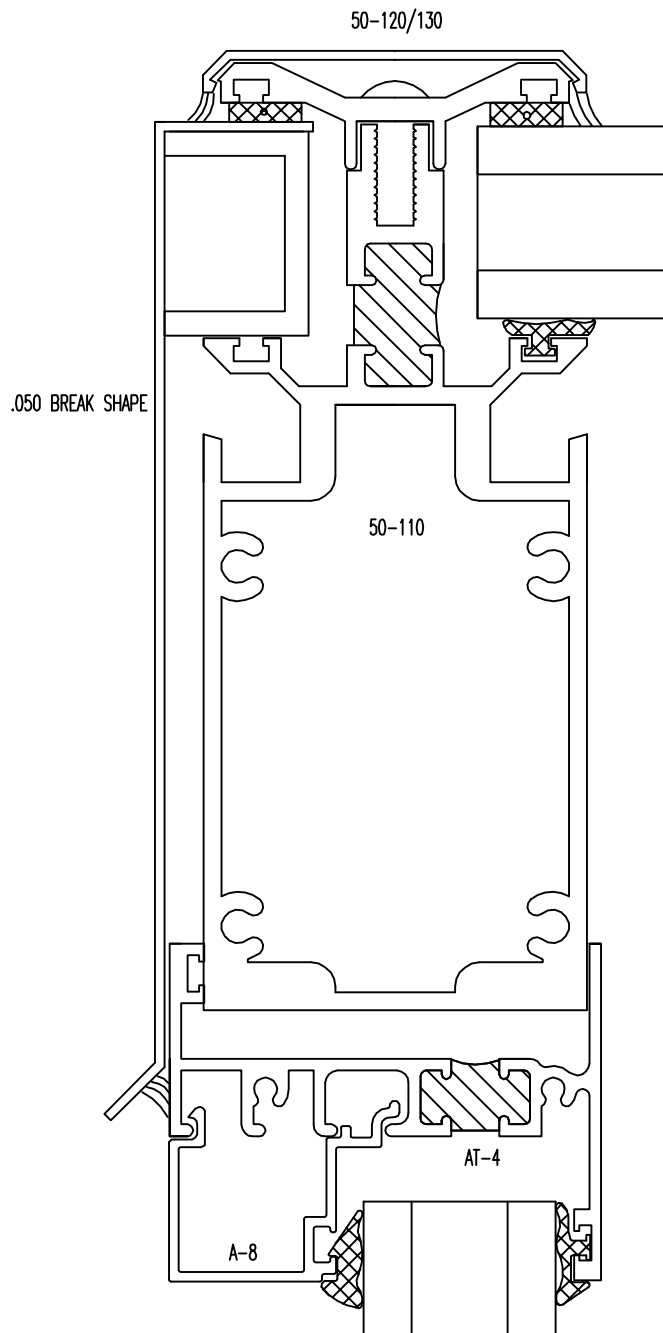
⑥ JAMB



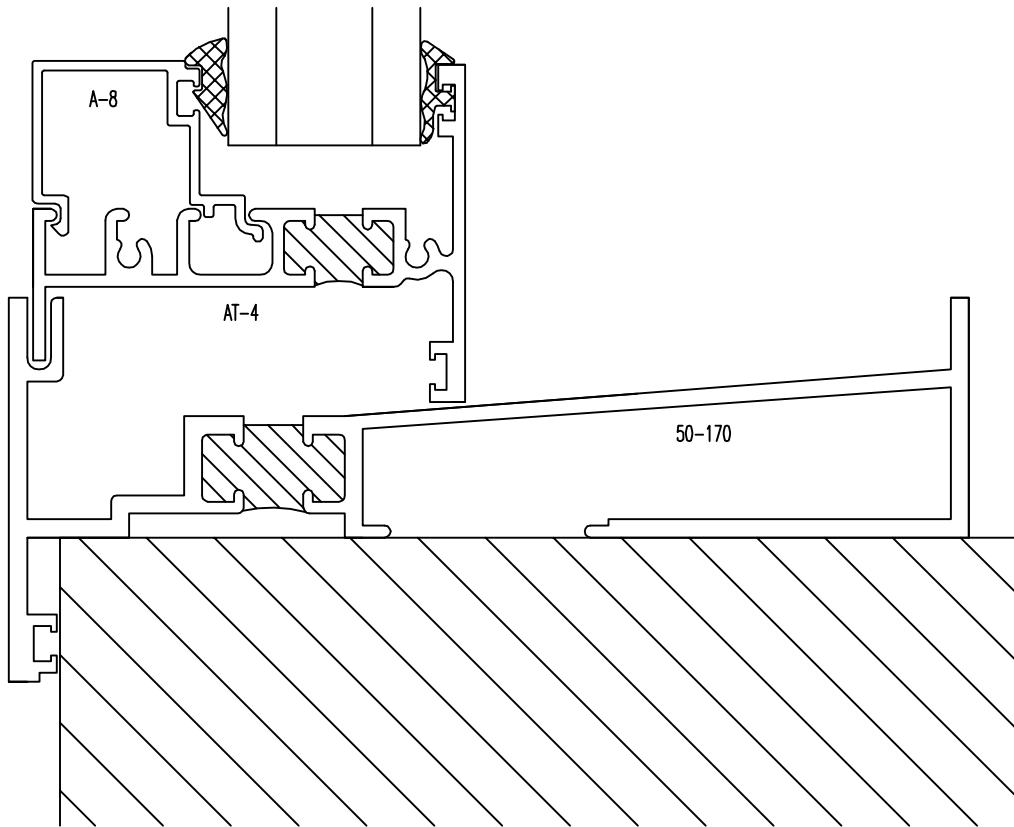
7 END WALL CORNER ASSEMBLY



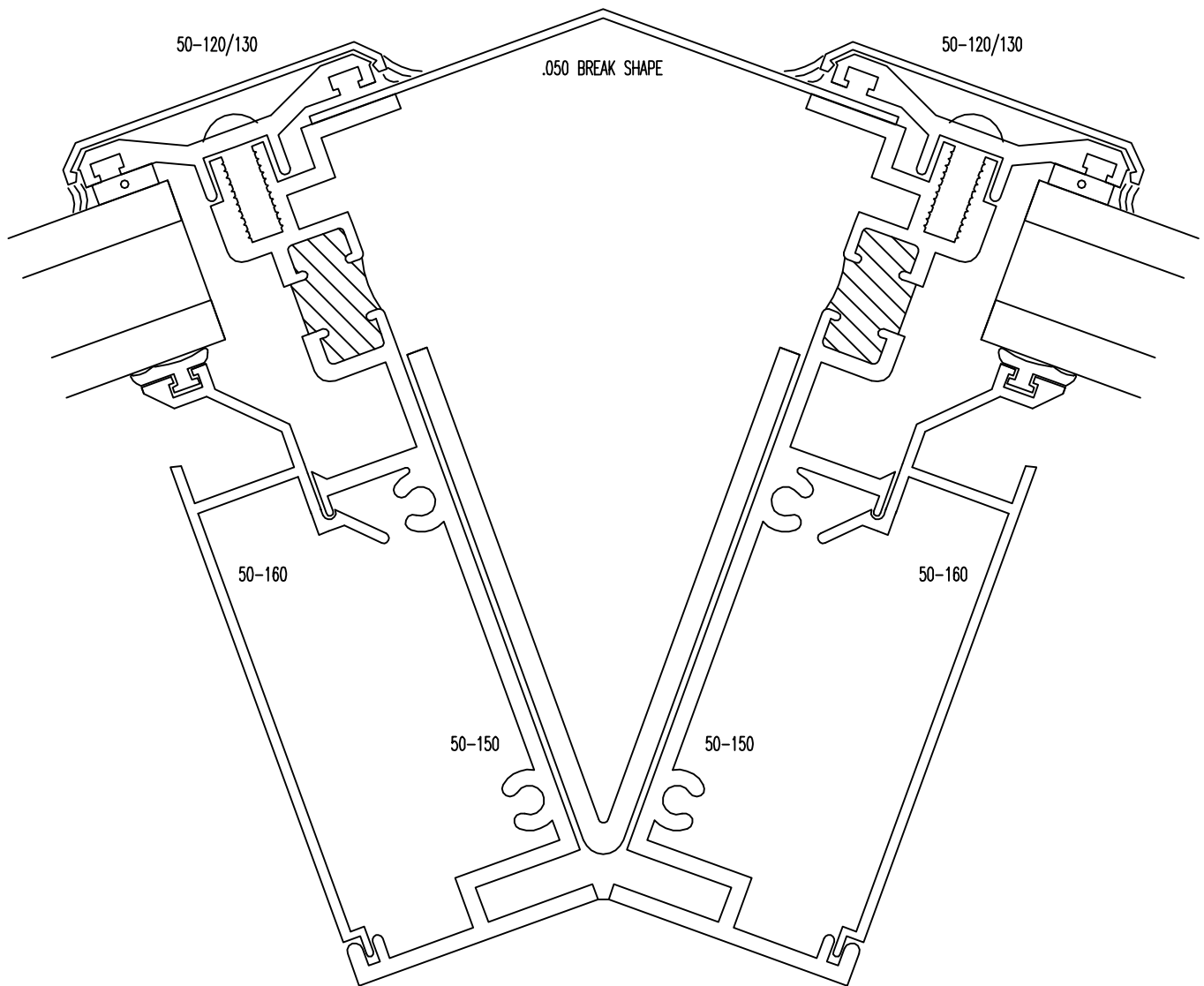
7A END WALL CORNER ASSEMBLY



8 END WALL SILL



9 HIP/RIDGE ASSEMBLY



⑩ END WALL CORNER ASSEMBLY

