

SPECIFICATIONS

GENERAL

Aluminum framing shall be Marlin System 55 thermally improved as manufactured by Marlin windows.

MATERIALS

All framing shall be aluminum extrusions of 6063-T5 alloy & temper with a minimum wall thickness of .094". All members shall have a rigid polyurethane "thermal-barrier" as an integral part of the extrusion which eliminates all direct contact between the interior and exterior aluminum sections. Glazing gaskets shall be extruded E.P.D.M. System shall accommodate vertical structural silicone butt glazing (Architect specify).

FINISH

Standard architectural Class II anodic color conforming to Aluminum Association AA-M12-C22-A34 for dark bronze or AA-M12-C22-A31 for clear anodize. (Architectural Class I and Class II anodic finishes and organic coatings available - specify).

CONSTRUCTION

Aluminum framing shall have a 2 1/4" face width and a depth of 4 1/2" and provide for flush glazing without projecting stops. Head and sill members shall have a face dimension of 2 1/2" and depth of 5". Optional thermally improved concealed project-in vent (Architect specify). Additional sight line shall not exceed 1/2".

Maximum vent 60" x 36".

PERFORMANCE

System shall be tested in accordance with AAMA 501 and meet the requirements of ASTM E 283 for air infiltration, and ASTM E 331 for water penetration, and ASTM E 330 for structural performance. Deflection of mullions shall be limited to L/175 when subjected to the project design pressure of _____P.S.F. (Architect to specify). Marlin System 55 shall have a minimum condensation resistance factor of 60.

GLAZING

Marlin system 55 shall accommodate 1" glazing as required. Provisions for 1/4" glazing shall be accommodated by use of an adapter.

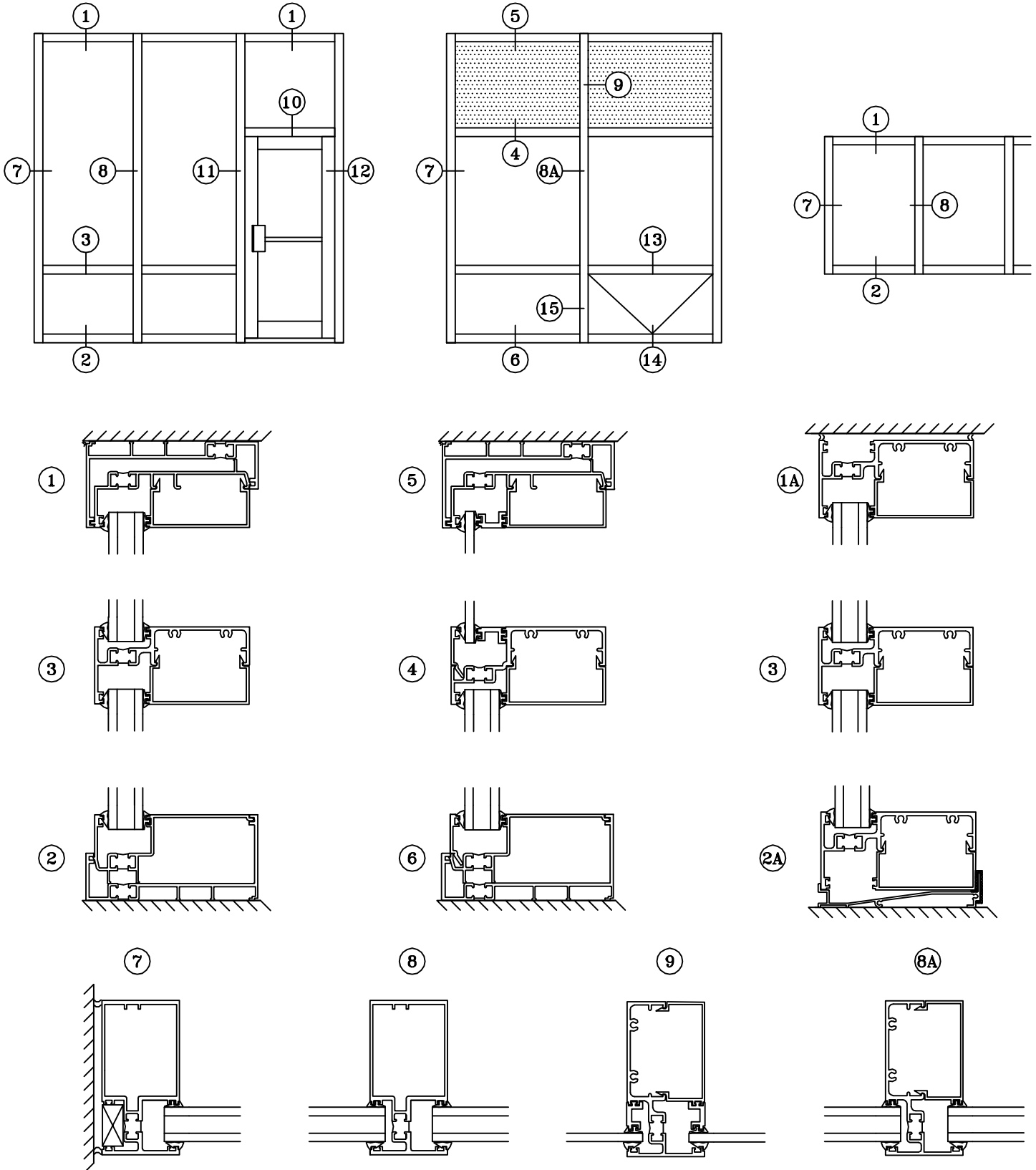
INSTALLATION

Glass and framing shall be installed straight, plumb, and level without twisting and securely anchored in place. All joints between framing and the building exterior shall be sealed to provide a watertight installation.

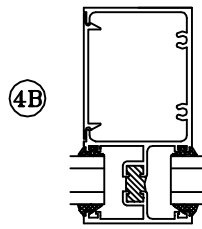
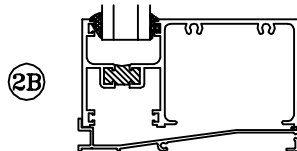
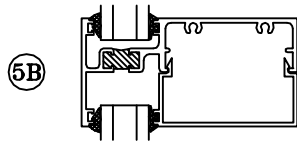
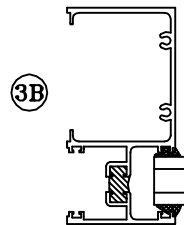
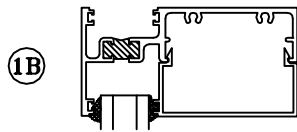
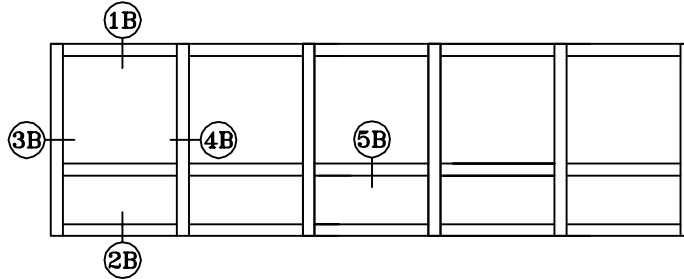
PROTECTION AND CLEANING

The General Contractor shall provide adequate protection of the aluminum and glass surfaces from damage by grinding compound, lime, acids, cement or other contaminants. The General Contractor shall be responsible for final cleaning.

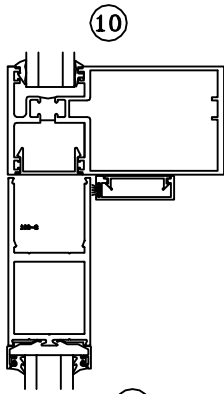
1/4 SCALE



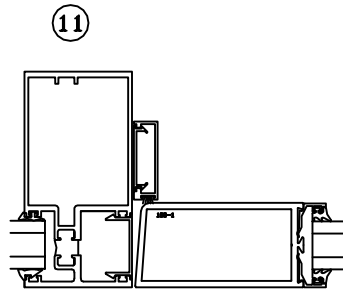
1/4 SCALE



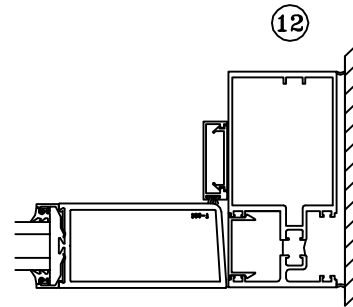
1/4 SCALE



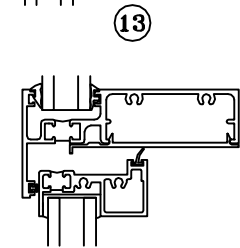
10



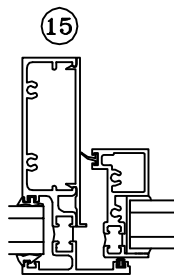
11



12

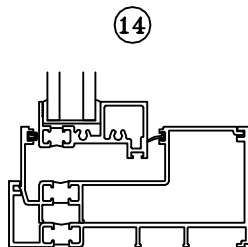
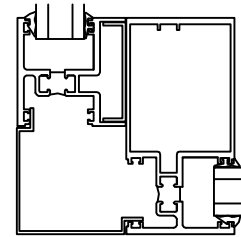


13



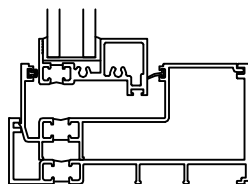
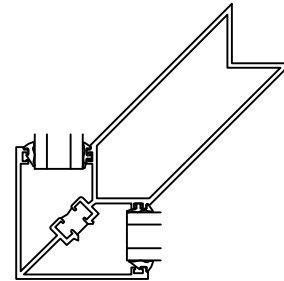
15

**CORNER
POST**



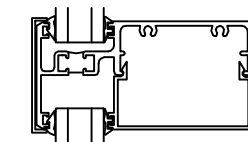
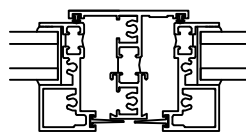
14

OUTSIDE CORNER



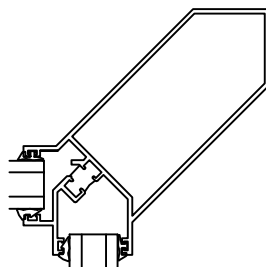
3A

**DOUBLE
VENT**



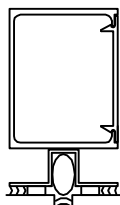
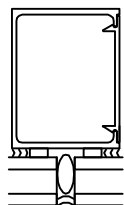
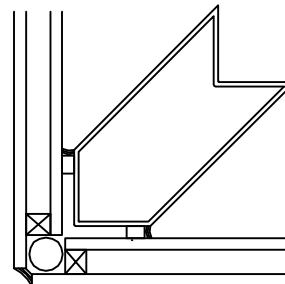
8B

INSIDE CORNER



9B

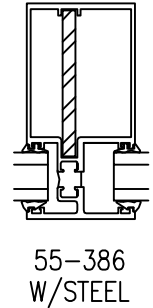
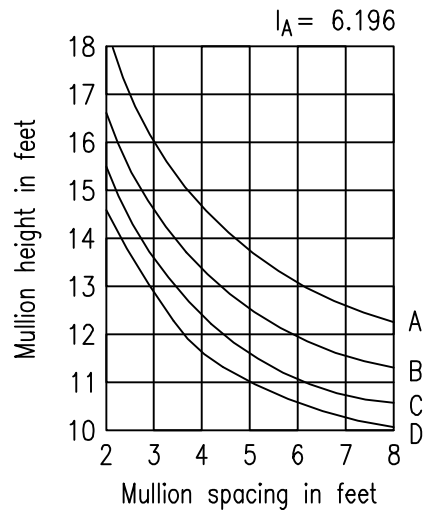
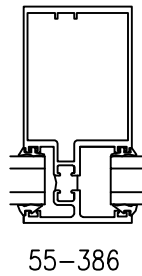
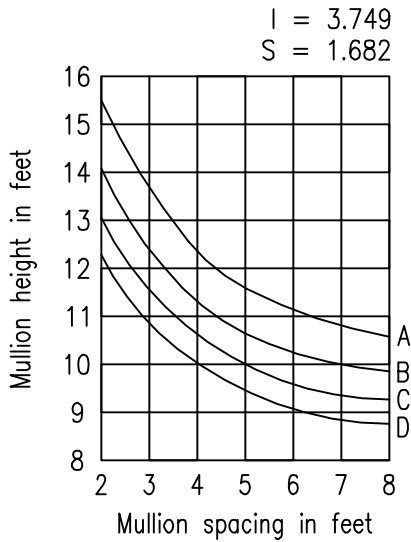
90 DEG BUTT GLAZE CORNER



A = 15 PSF
B = 20 PSF
C = 25 PSF
D = 30 PSF

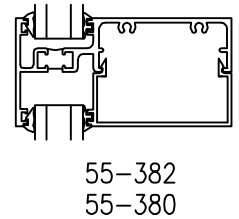
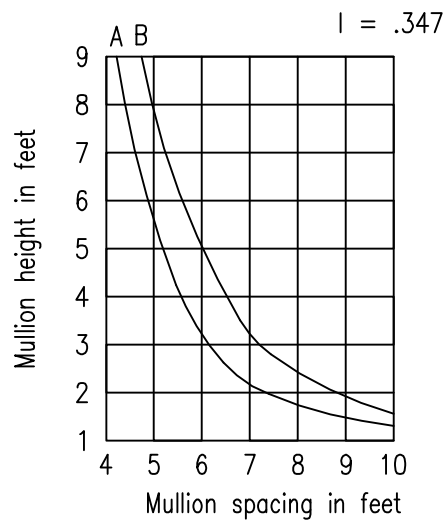
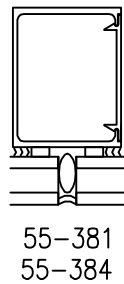
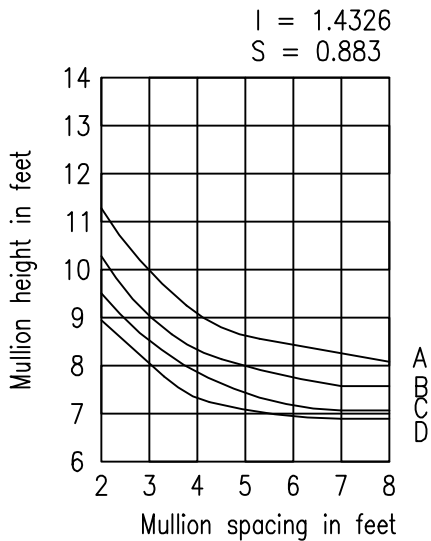
WIND LOAD CHARTS

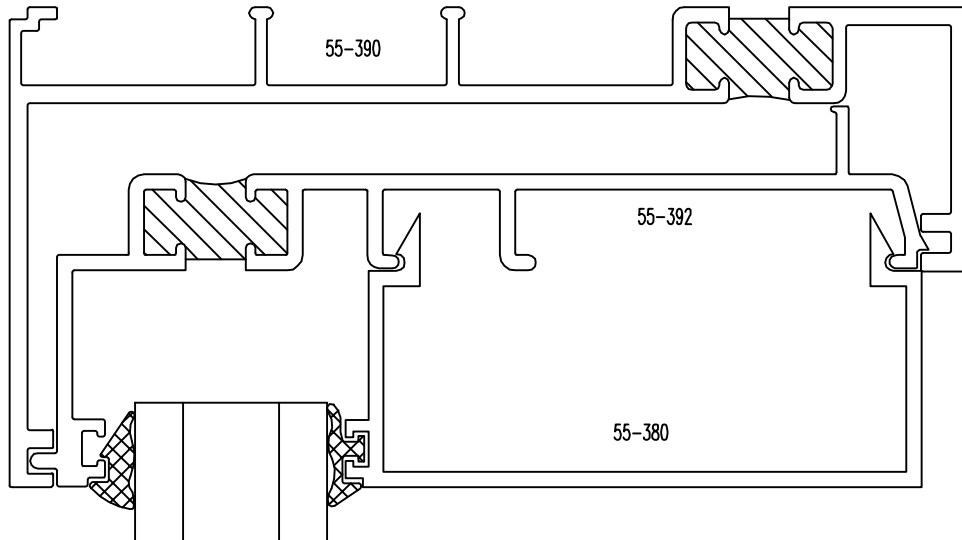
DEFLECTION LIMITED TO L/175



DEAD LOADS

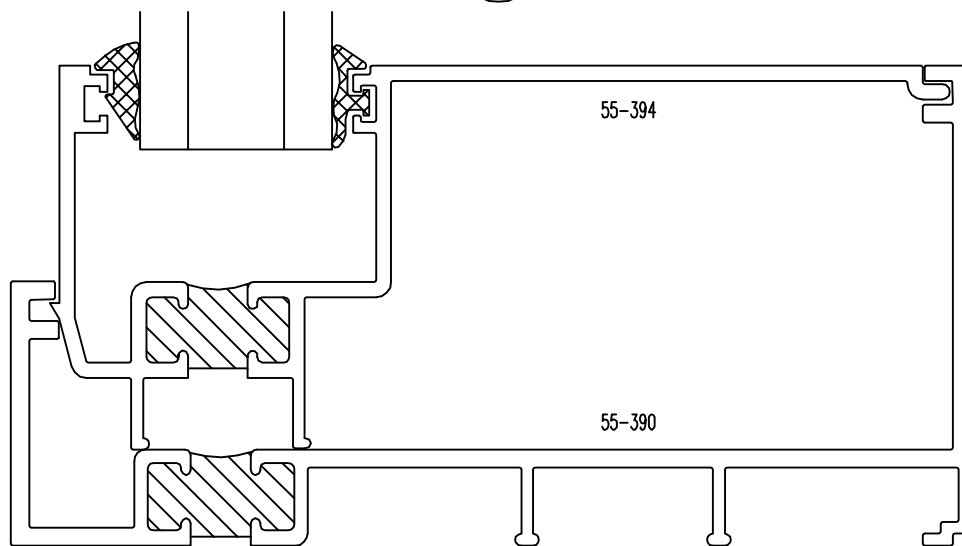
1/4 POINT LOADING (A)
1/8 POINT LOADING (B)

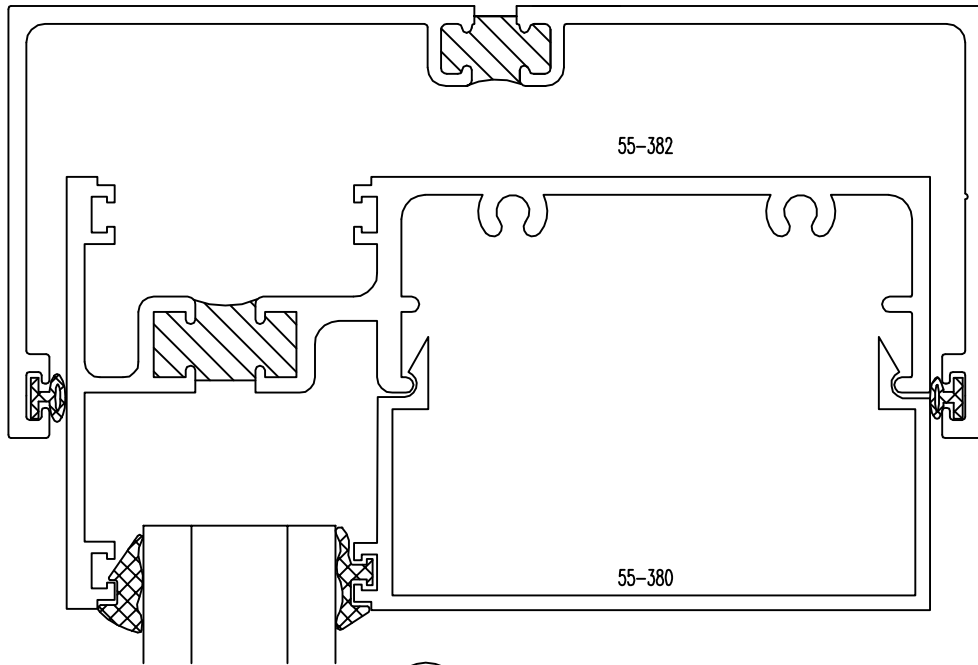




① HEAD

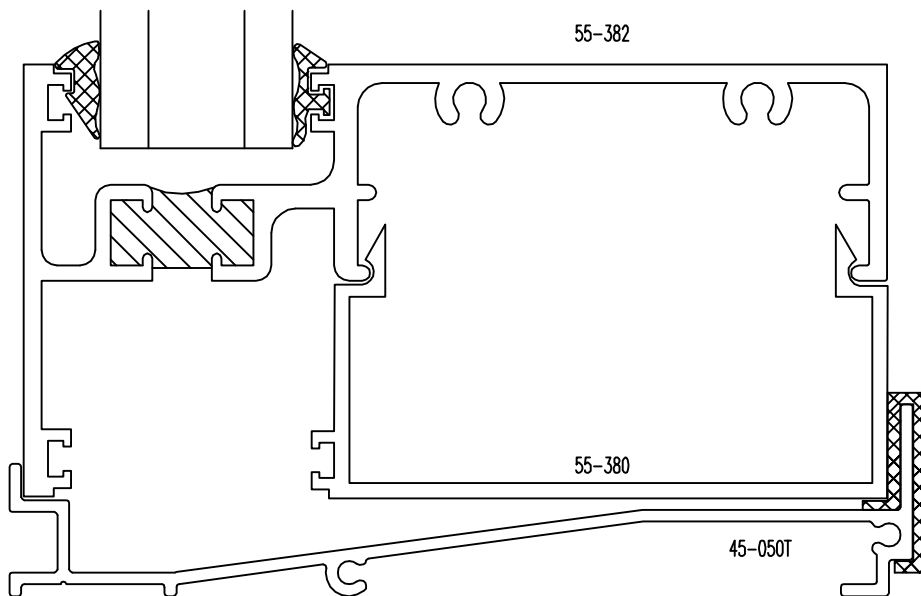
② SILL

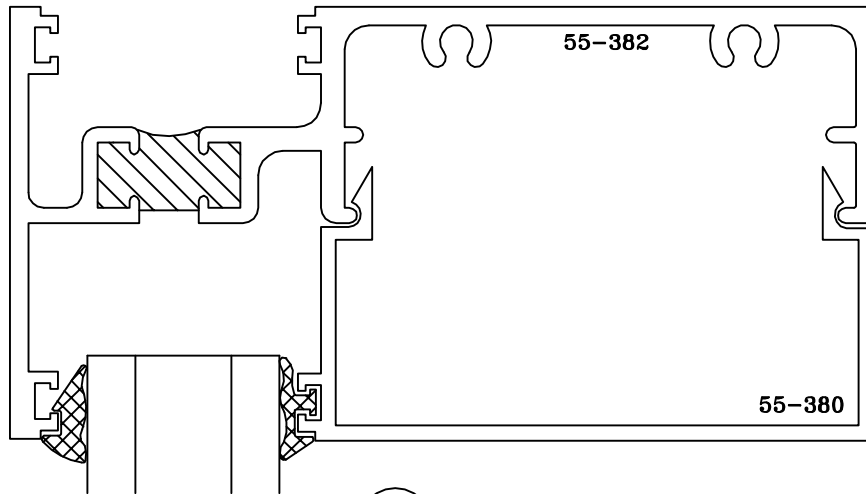




1A HEAD

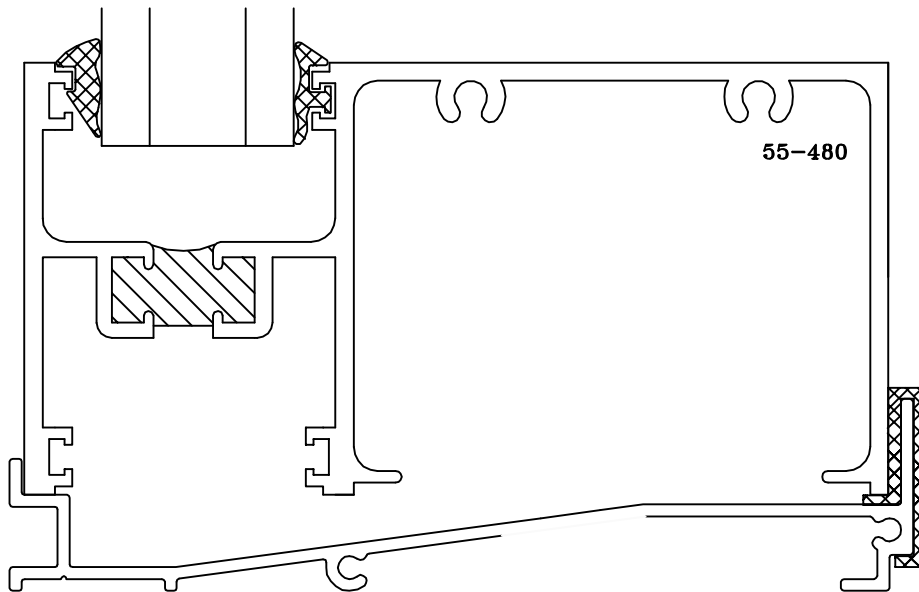
2A SILL

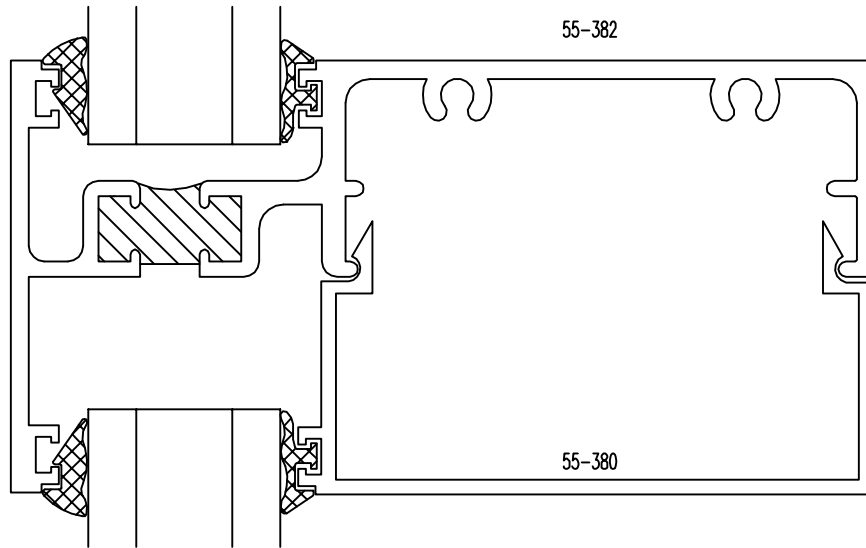




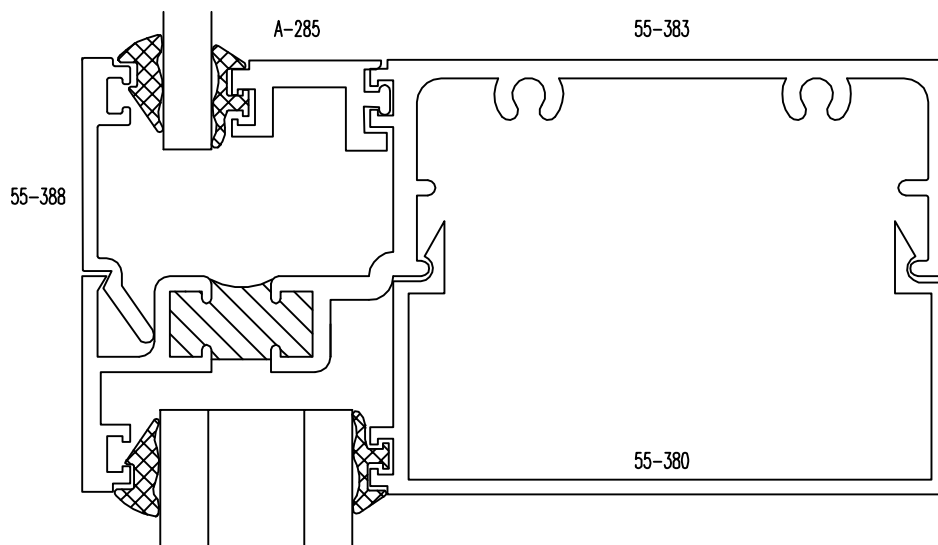
①B HEAD

②B SILL

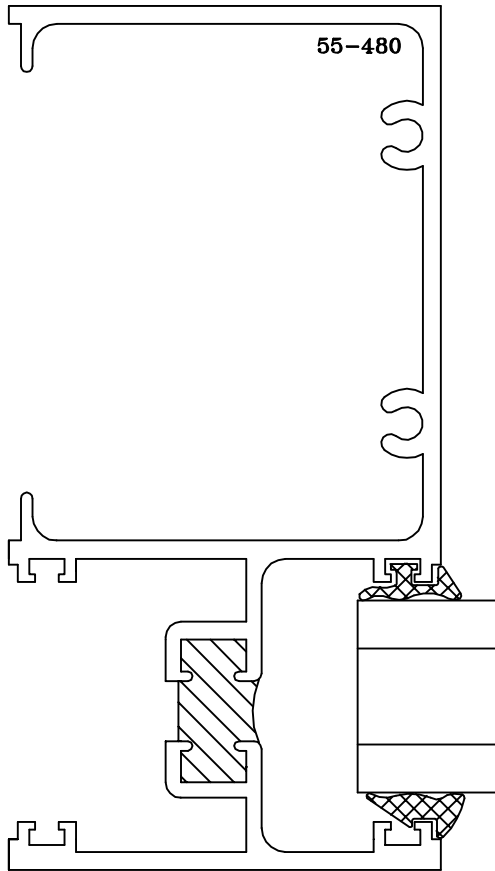




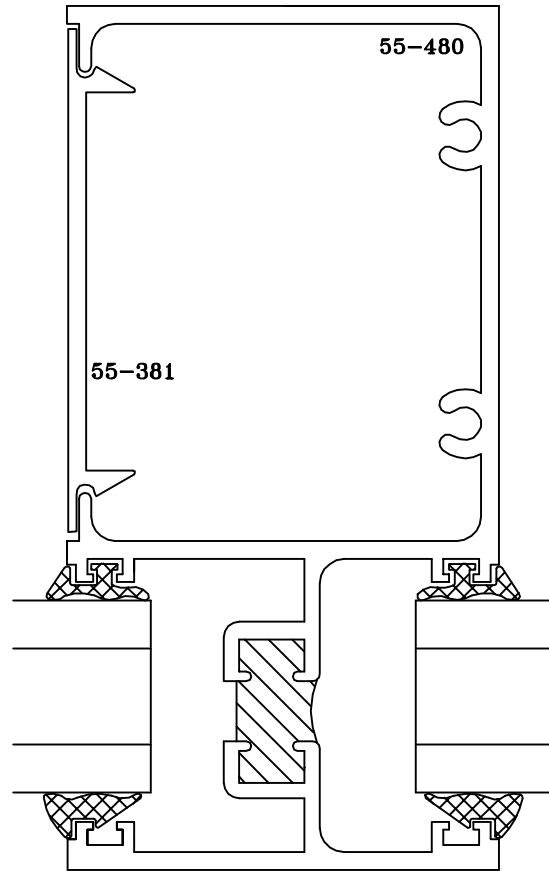
③ HORIZONTAL
INSIDE GLAZED



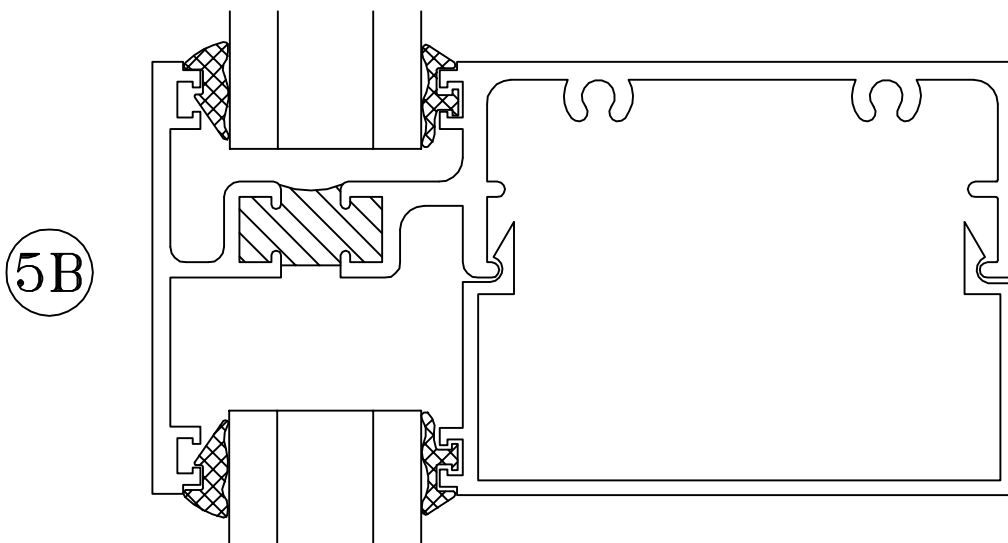
④ HORIZONTAL
OUTSIDE GLAZED

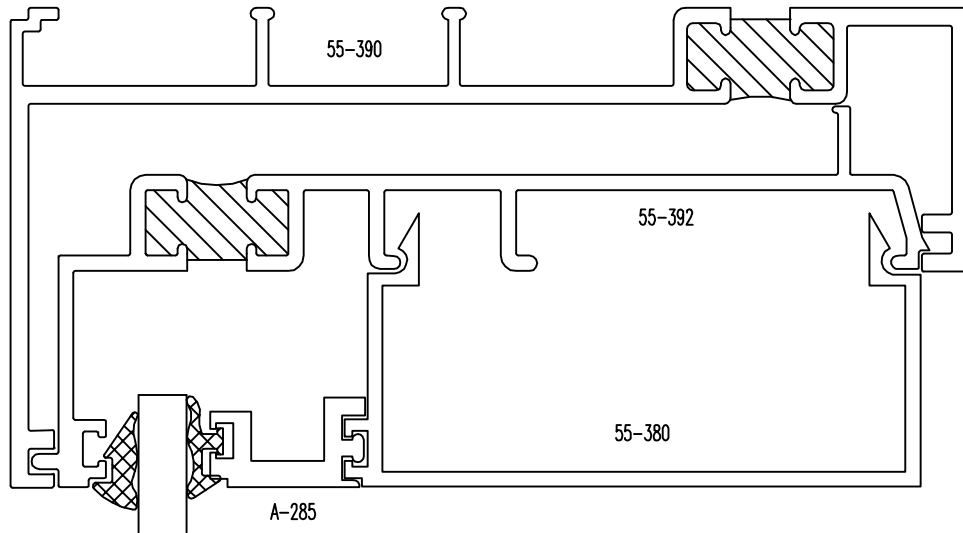


3B JAMB



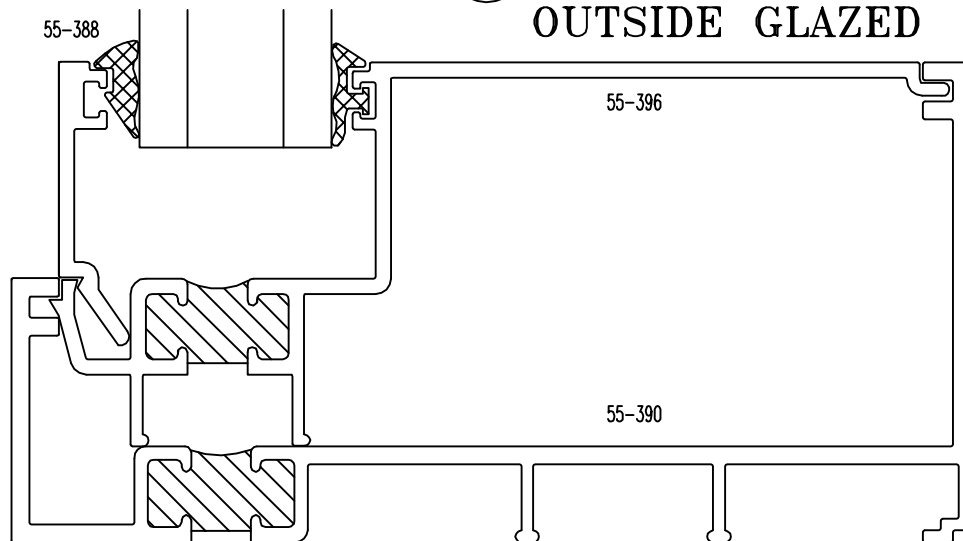
4B MULLION

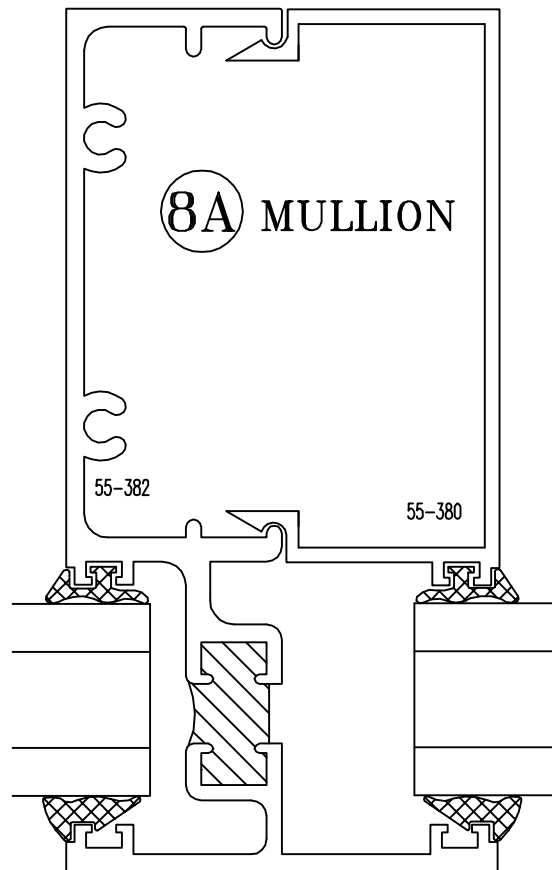
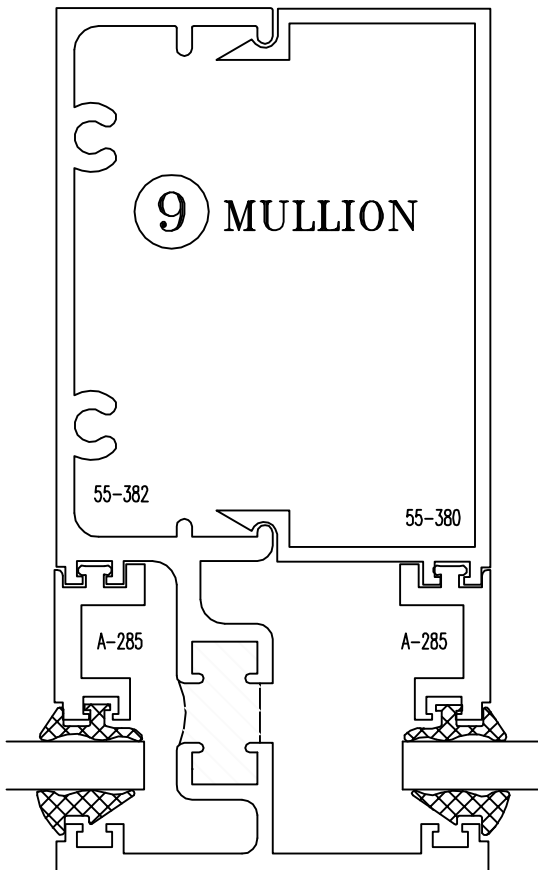
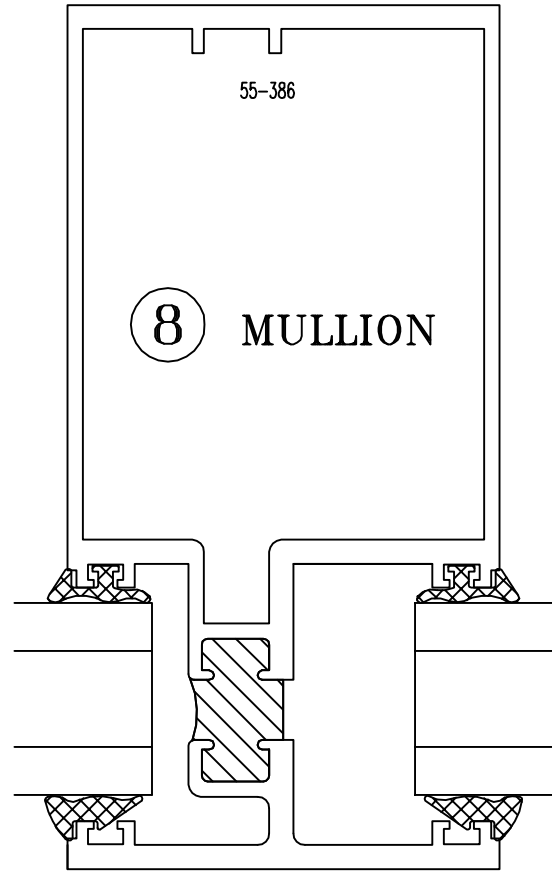
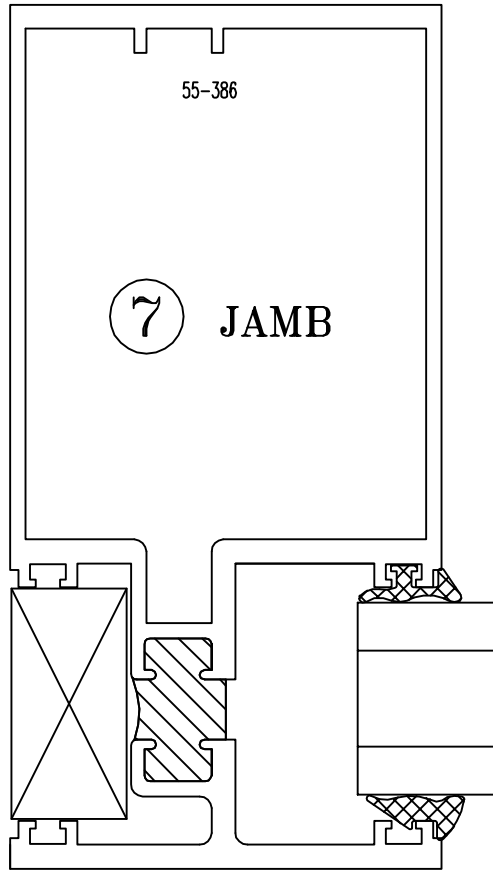




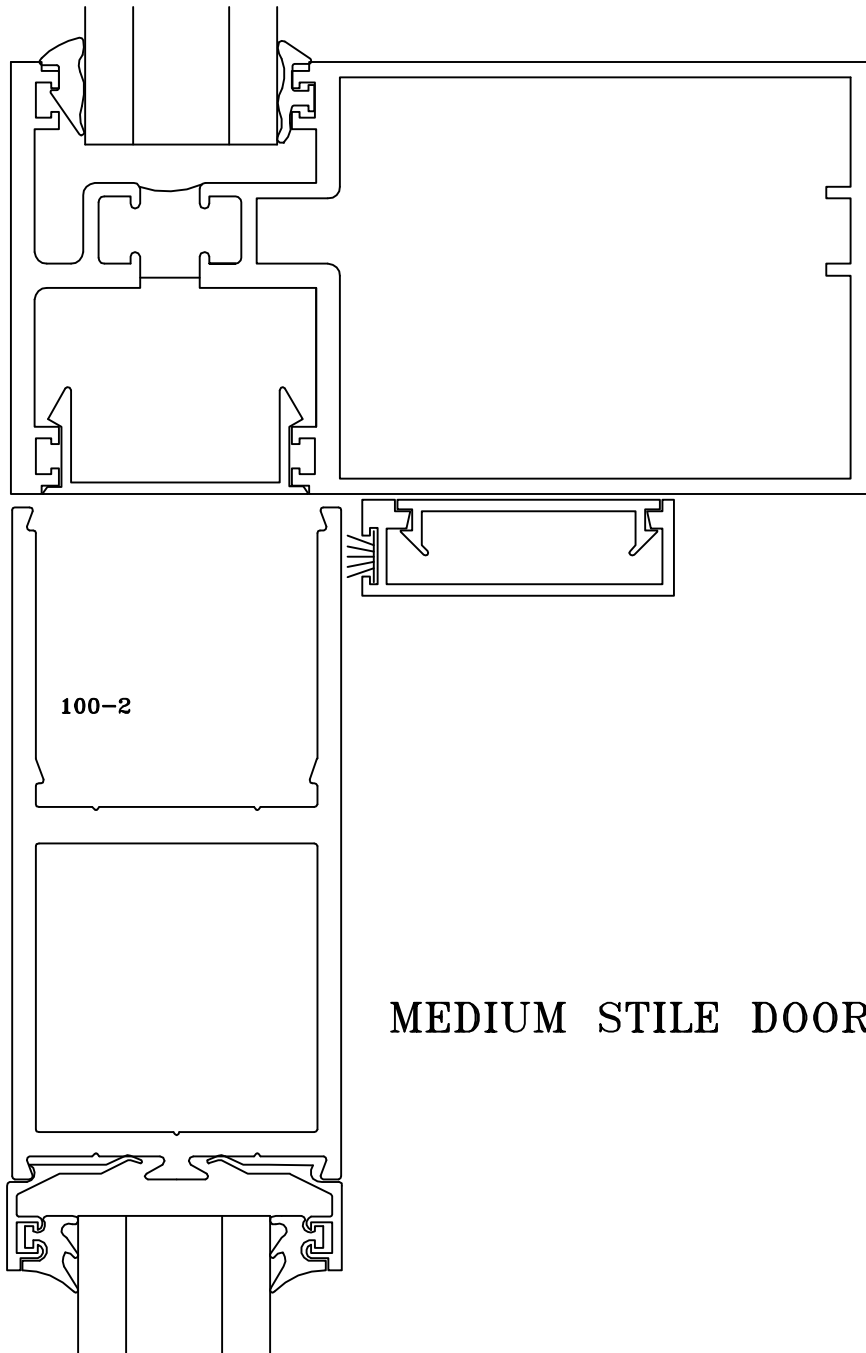
⑤ HEAD

⑥ SILL
OUTSIDE GLAZED

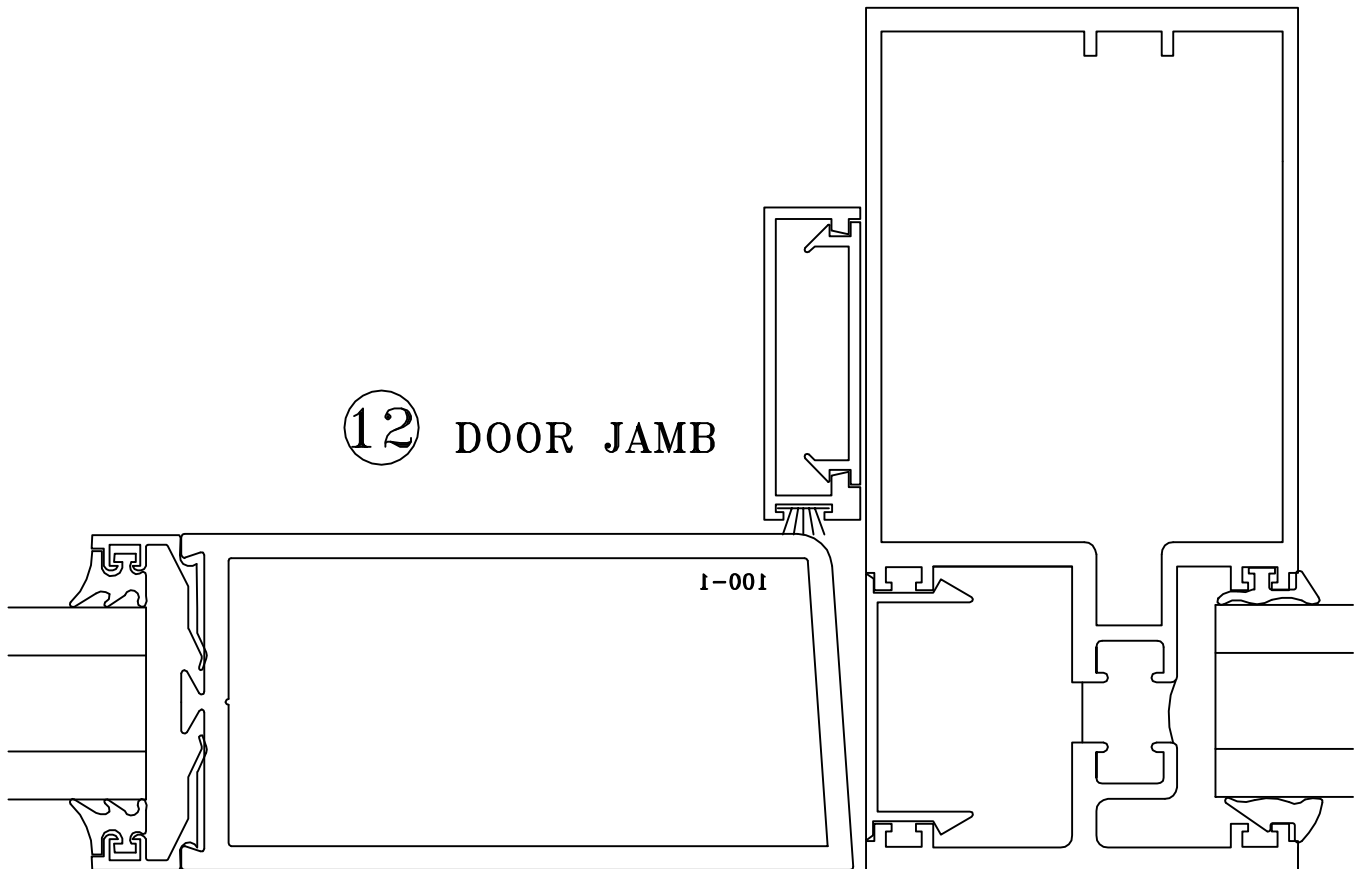
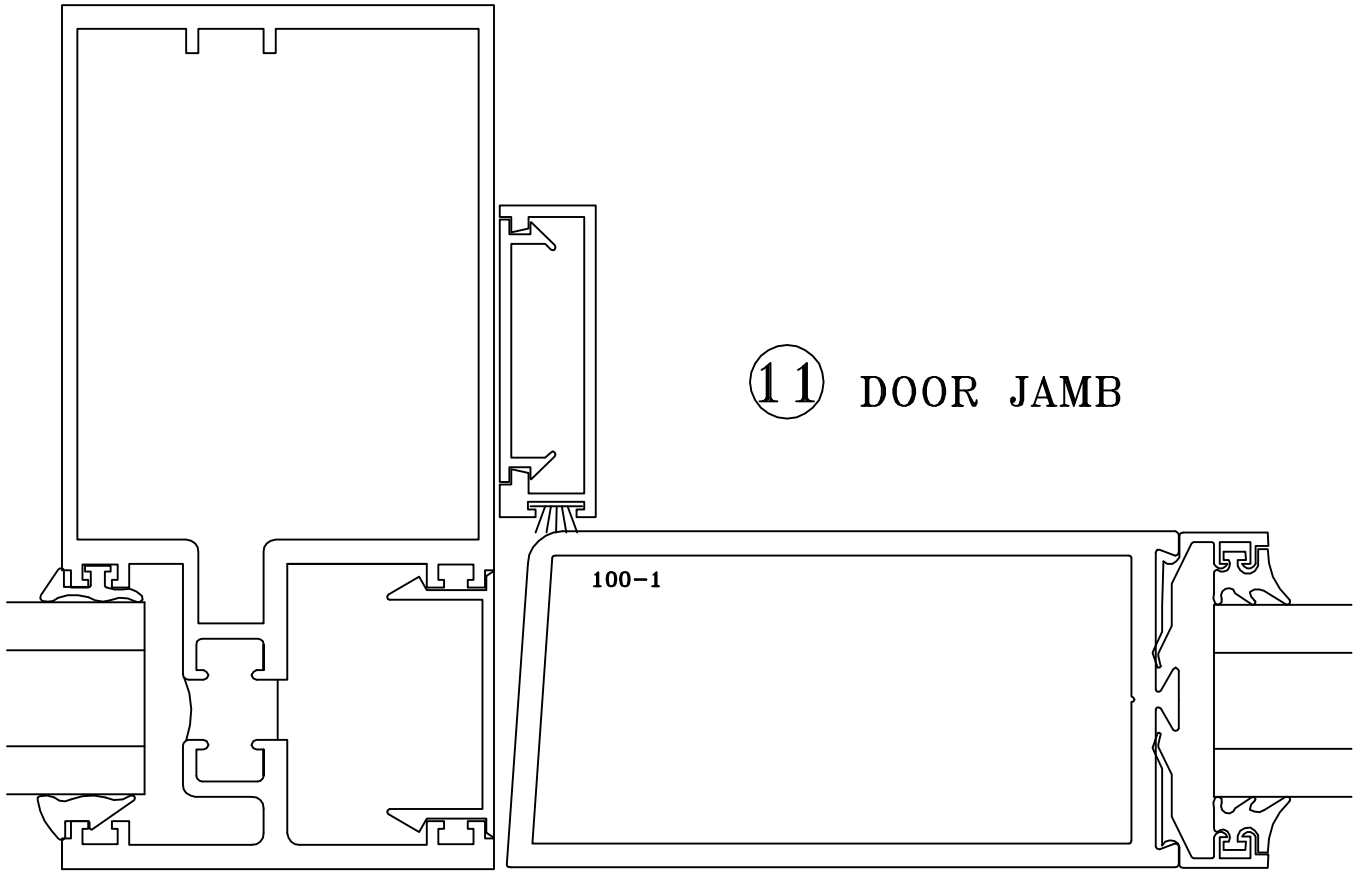


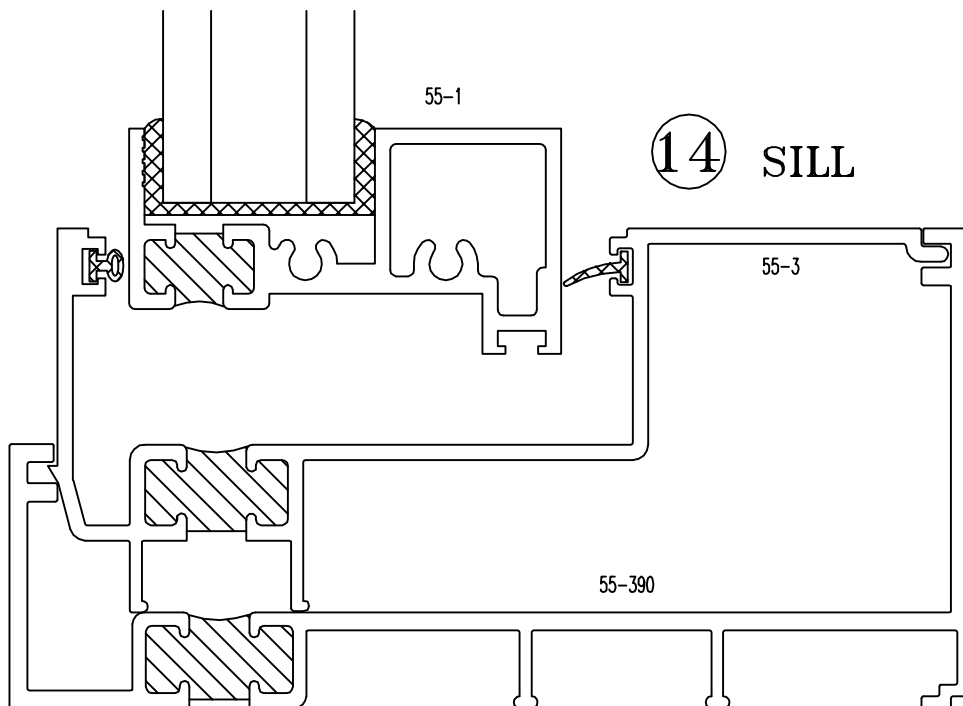
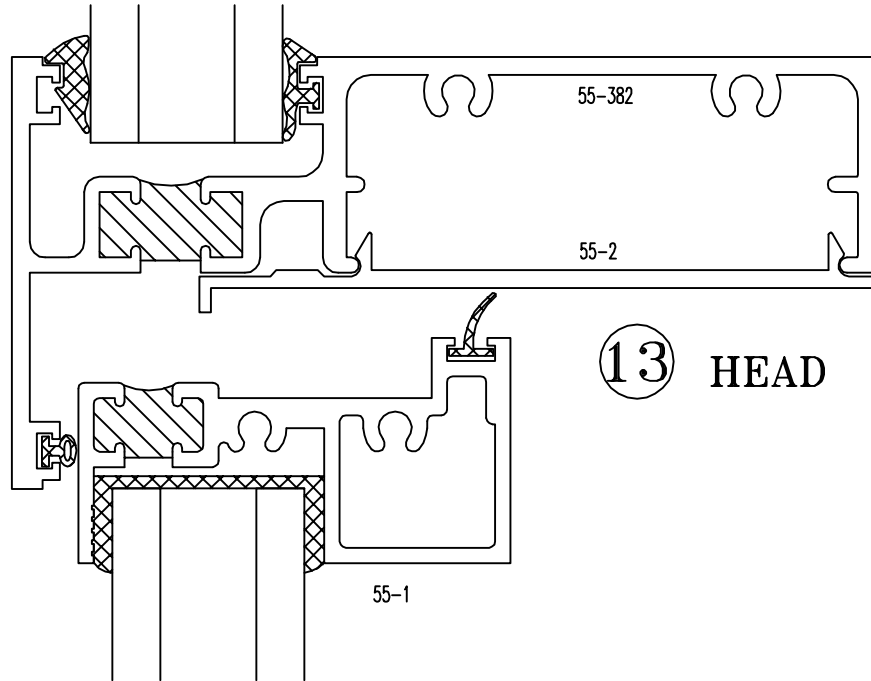


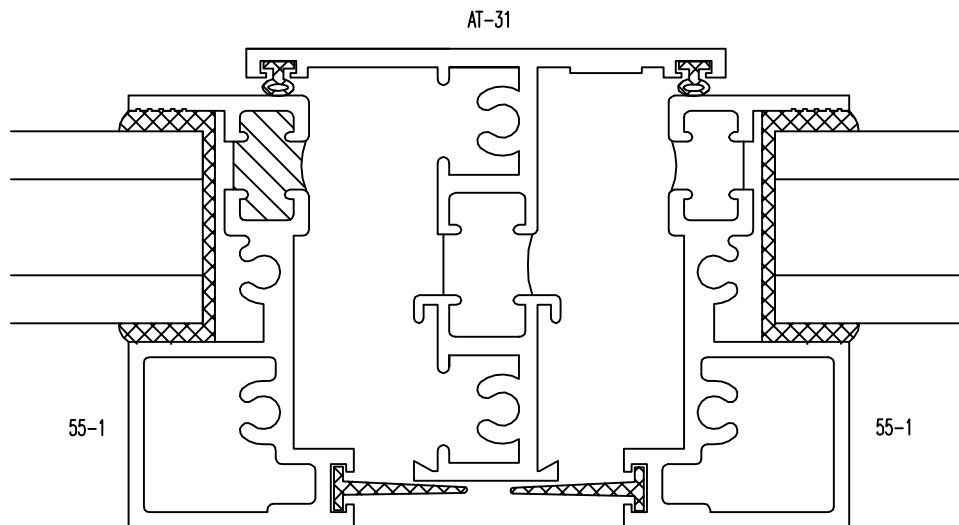
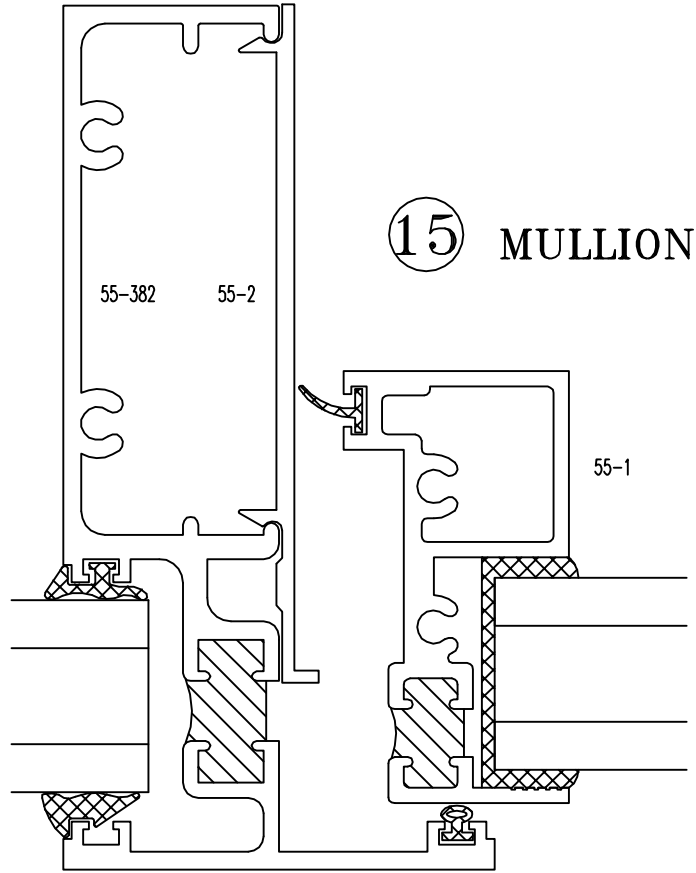
10 DOOR HEAD



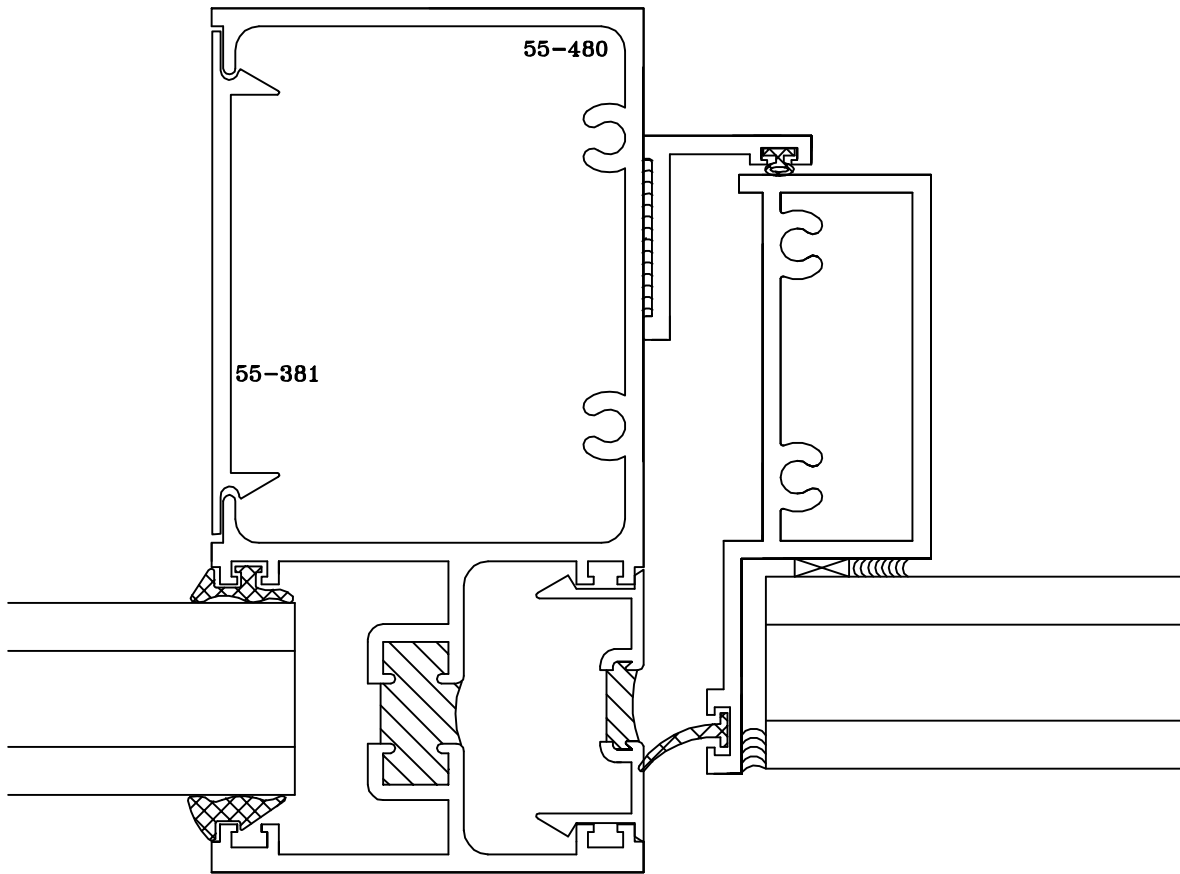
MEDIUM STILE DOOR





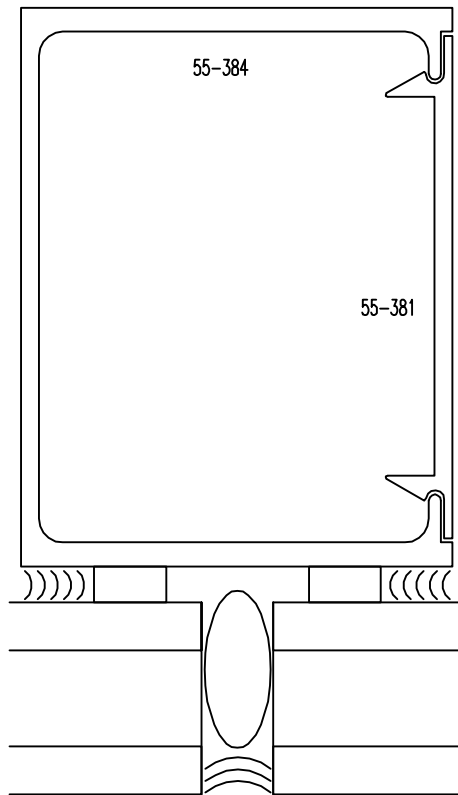
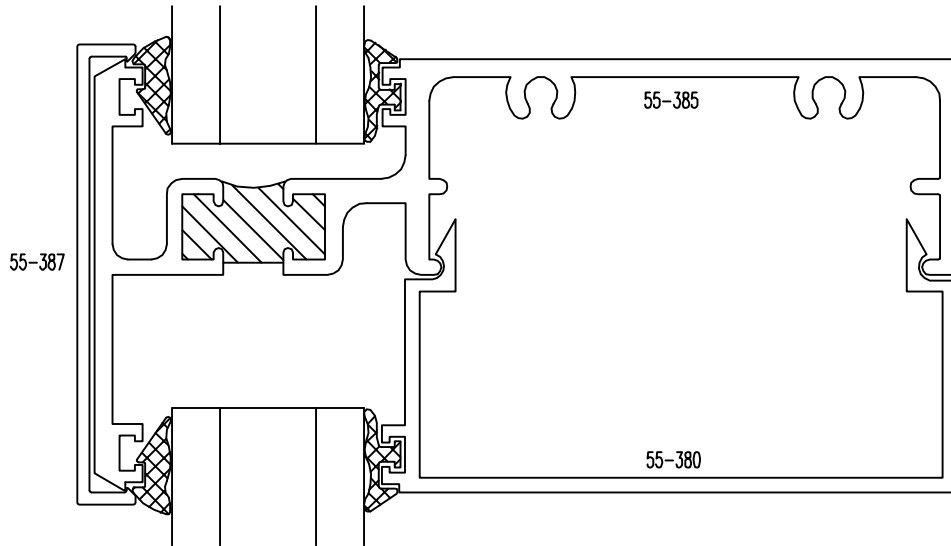


@ DOUBLE VENT

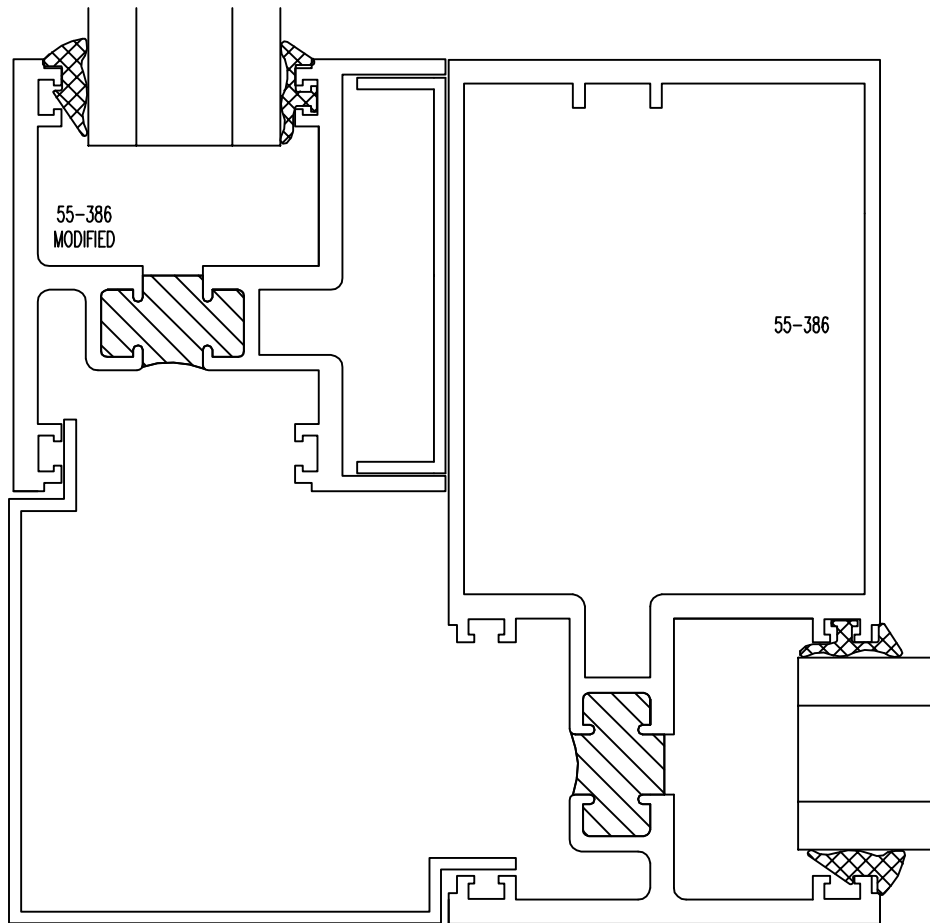


LOW PROFILE VENT

3A HORIZONTAL FOR BUTT GLAZE

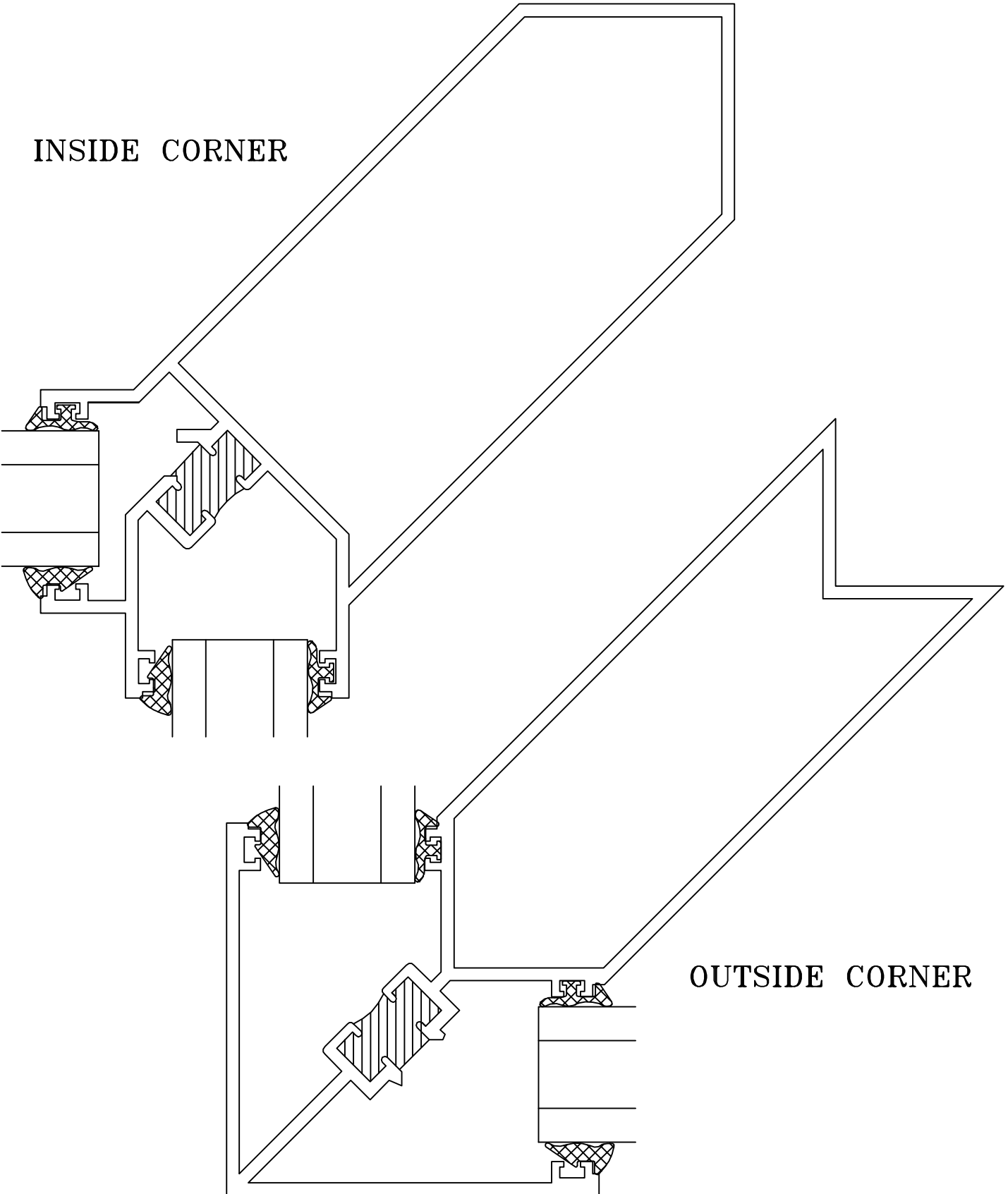


8B VERTICAL BUTT GLAZE

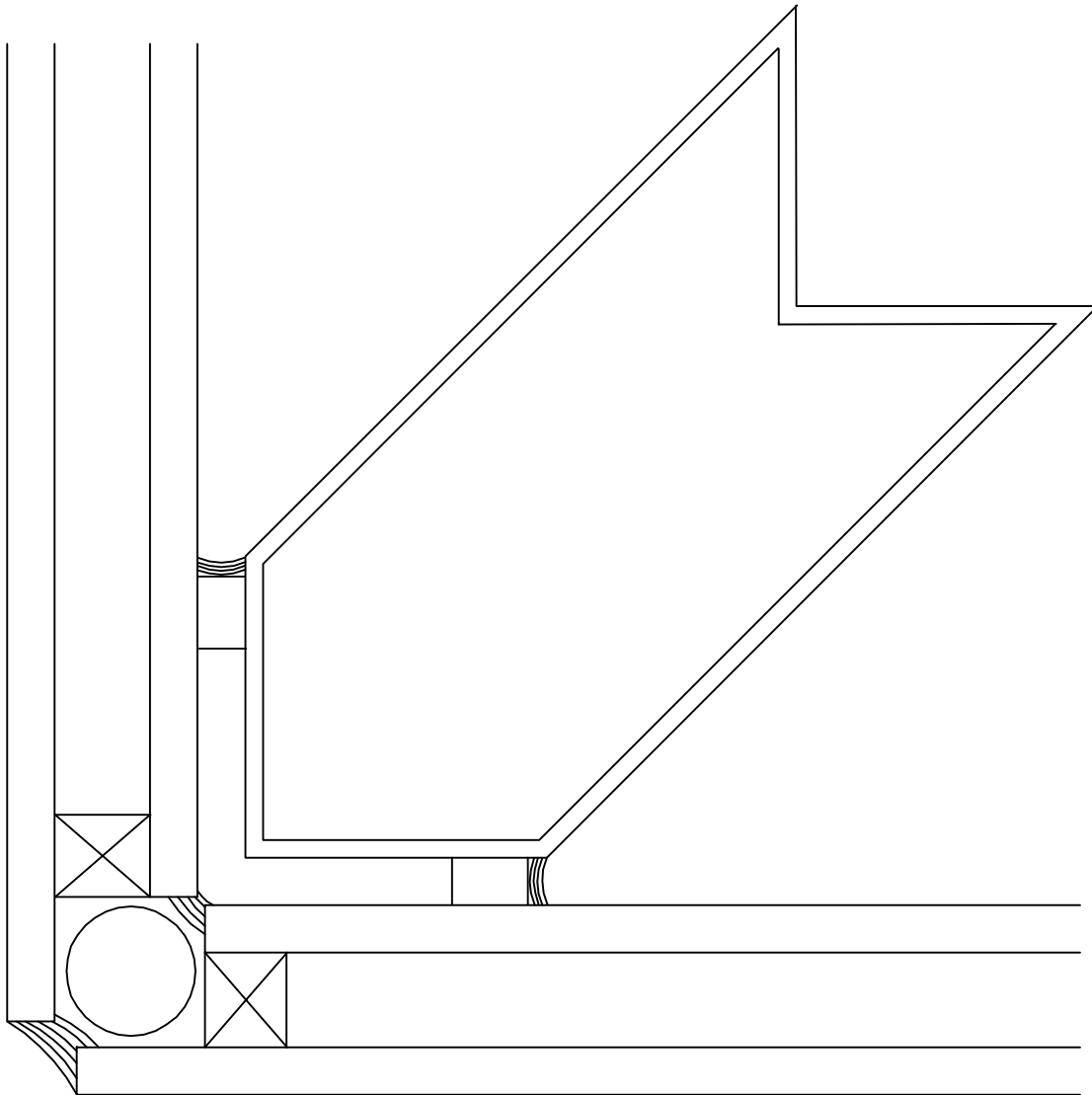


CORNER POST

INSIDE CORNER



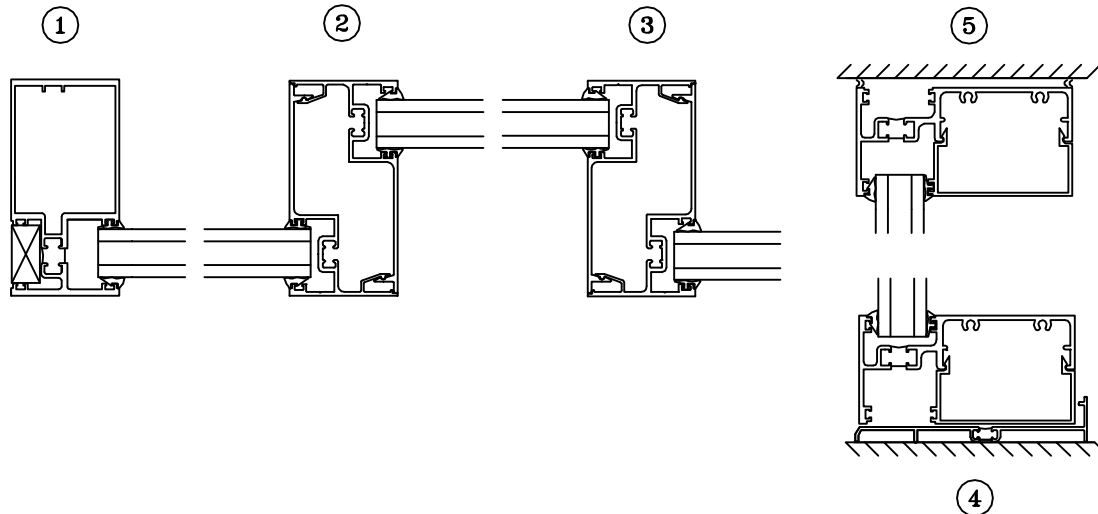
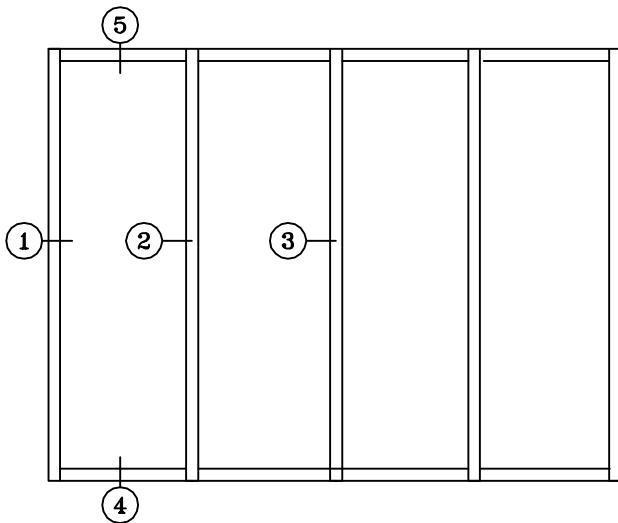
OUTSIDE CORNER



SYSTEM 55 - 90 DEG
BUTT GLAZE CORNER

1/4 SCALE

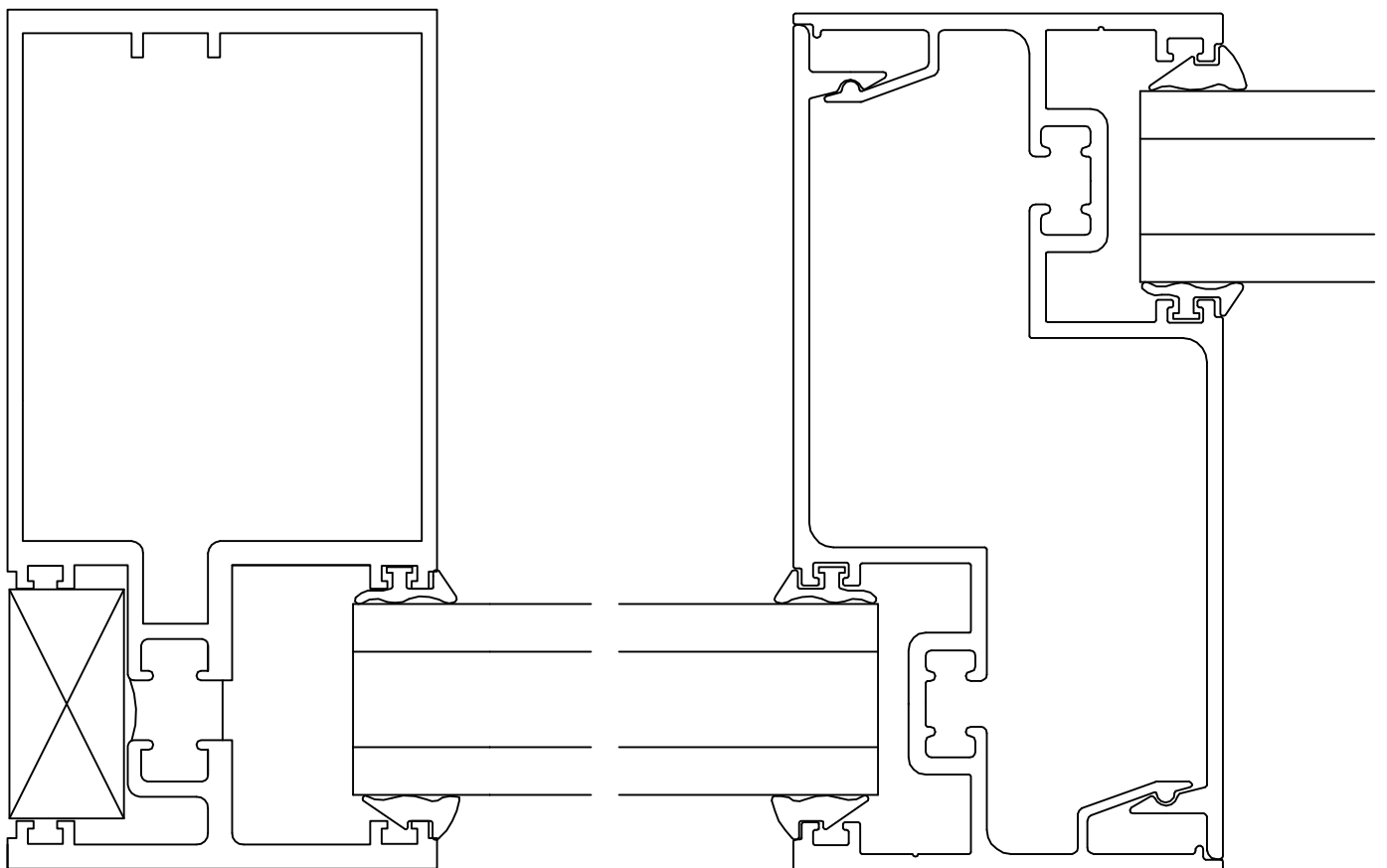
FRONT/BACK GLAZING



FRONT/BACK GLAZING

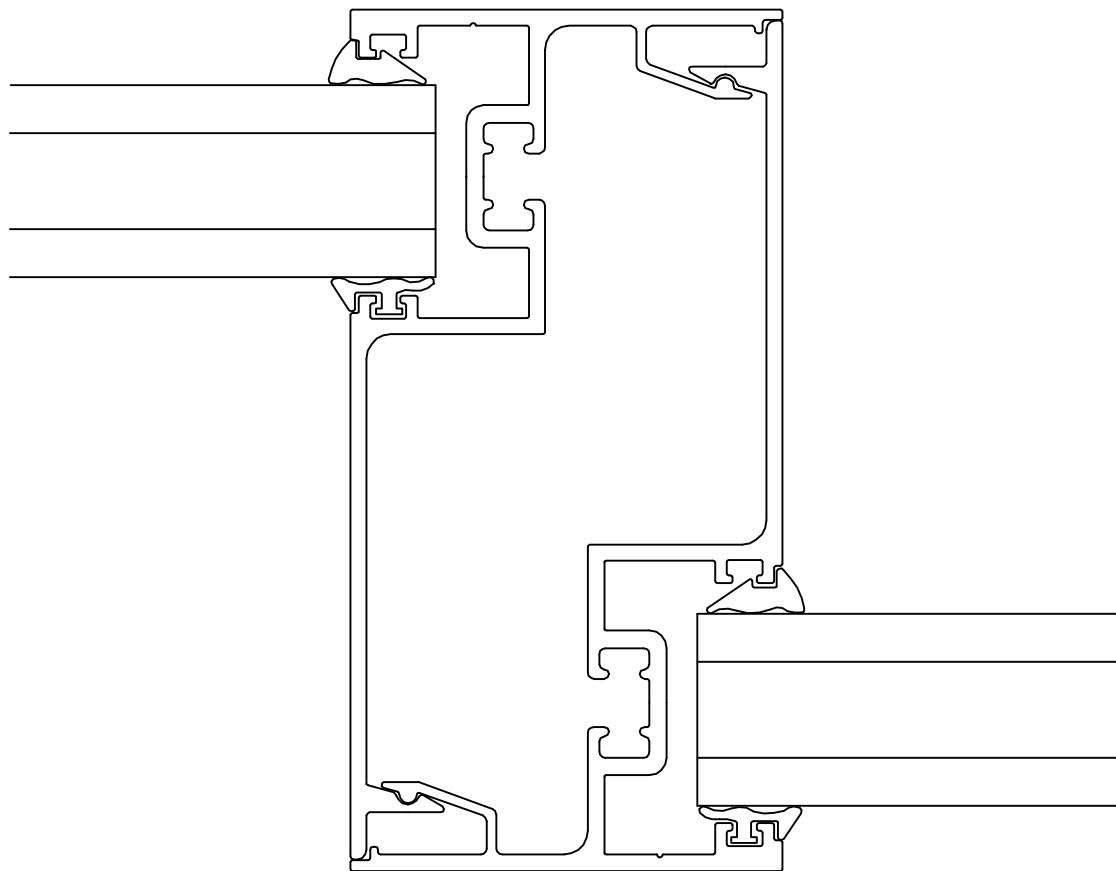
① JAMB

② MULLION

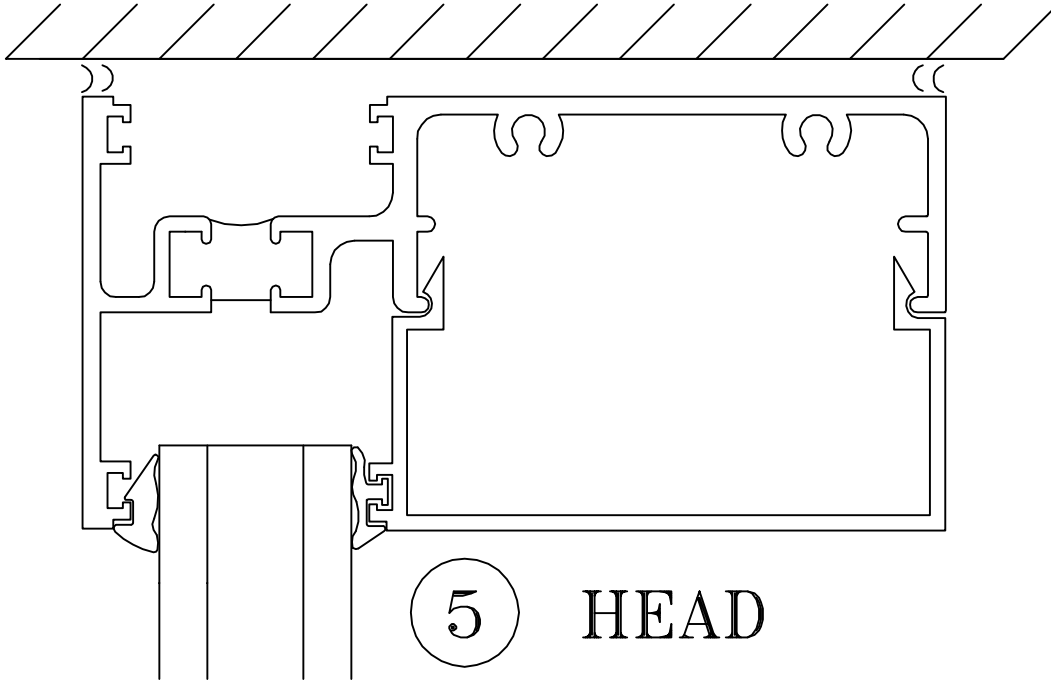


FRONT/BACK GLAZING

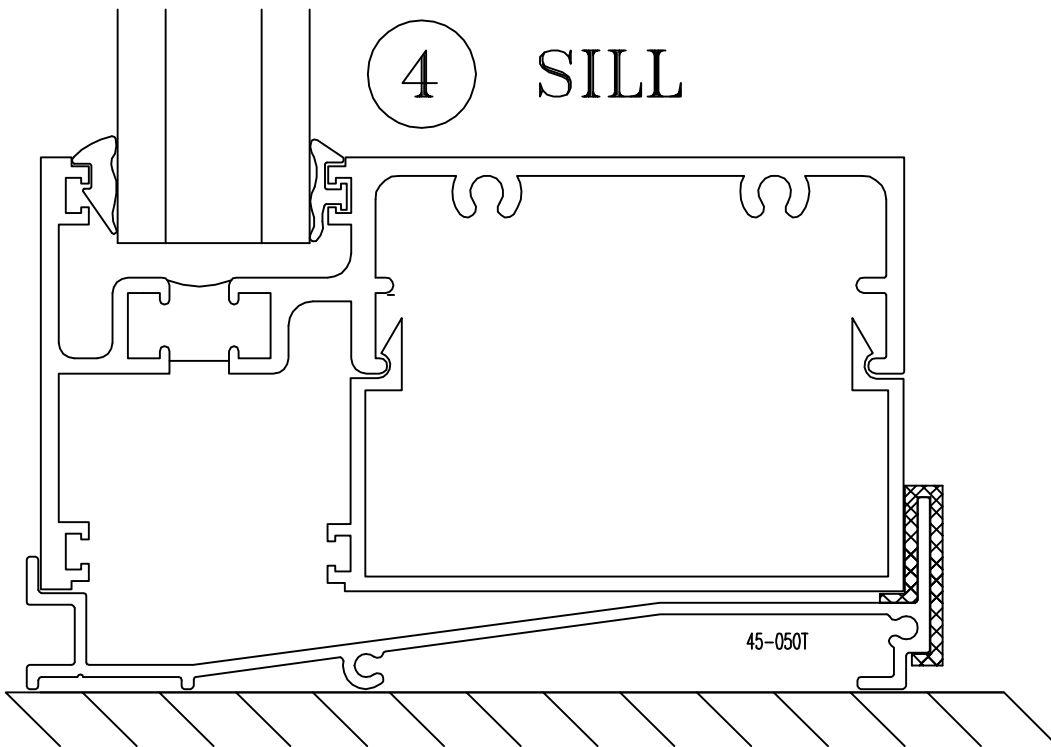
3 MULLION



FRONT/BACK GLAZING



5 HEAD



4 SILL

45-050T